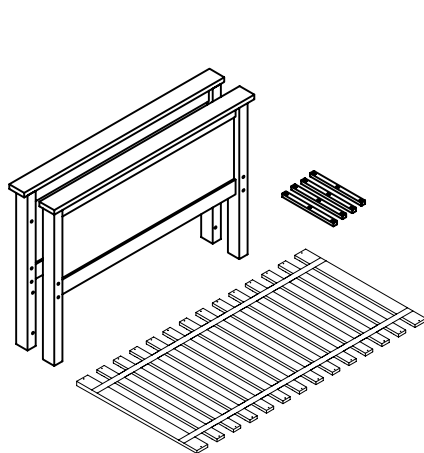
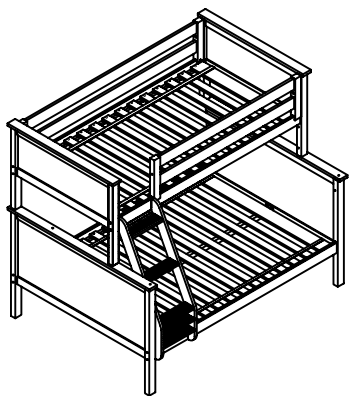


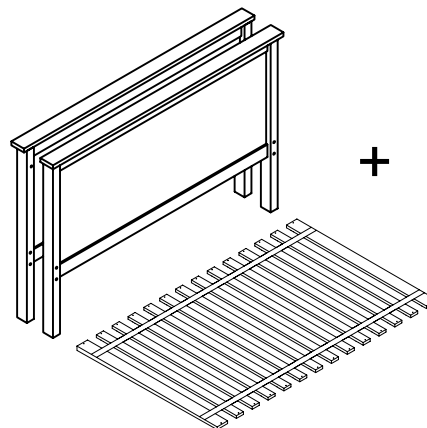
TWIN OVER FULL BUNK BEDS

“Cartons needed to assemble this bed”



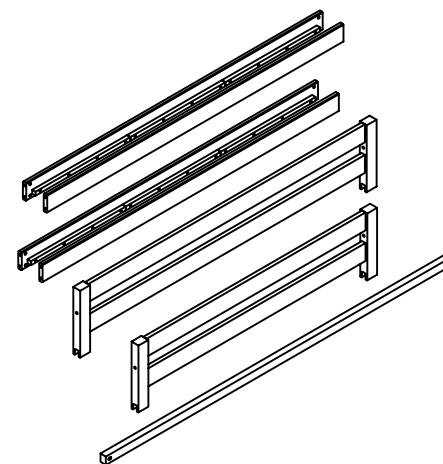
710100

+



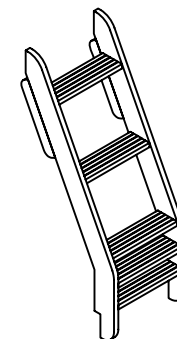
710350

+



710702

+

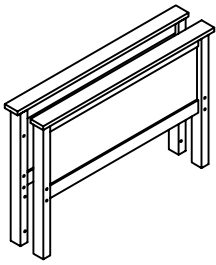
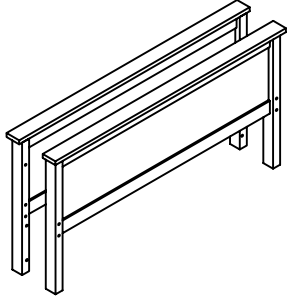
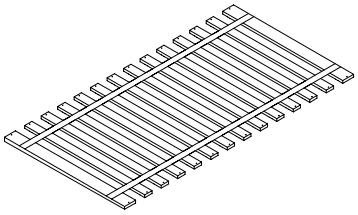
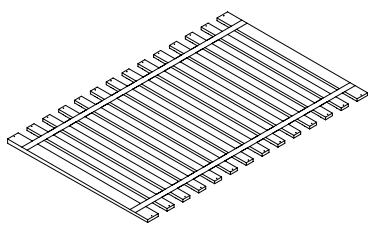
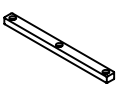
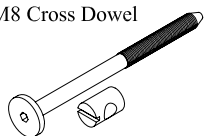
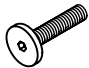



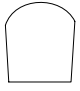


710602

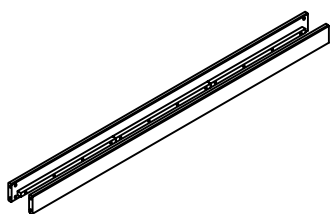
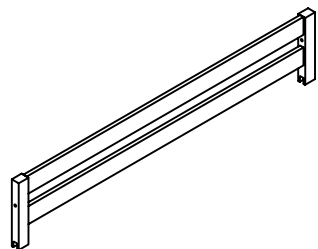
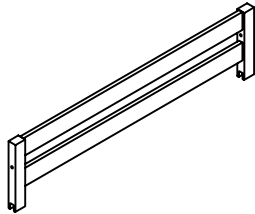
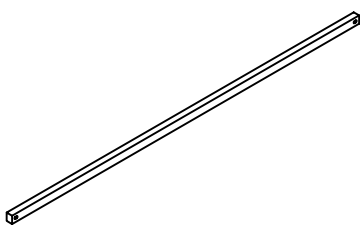



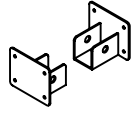



ASSEMBLY INSTRUCTION

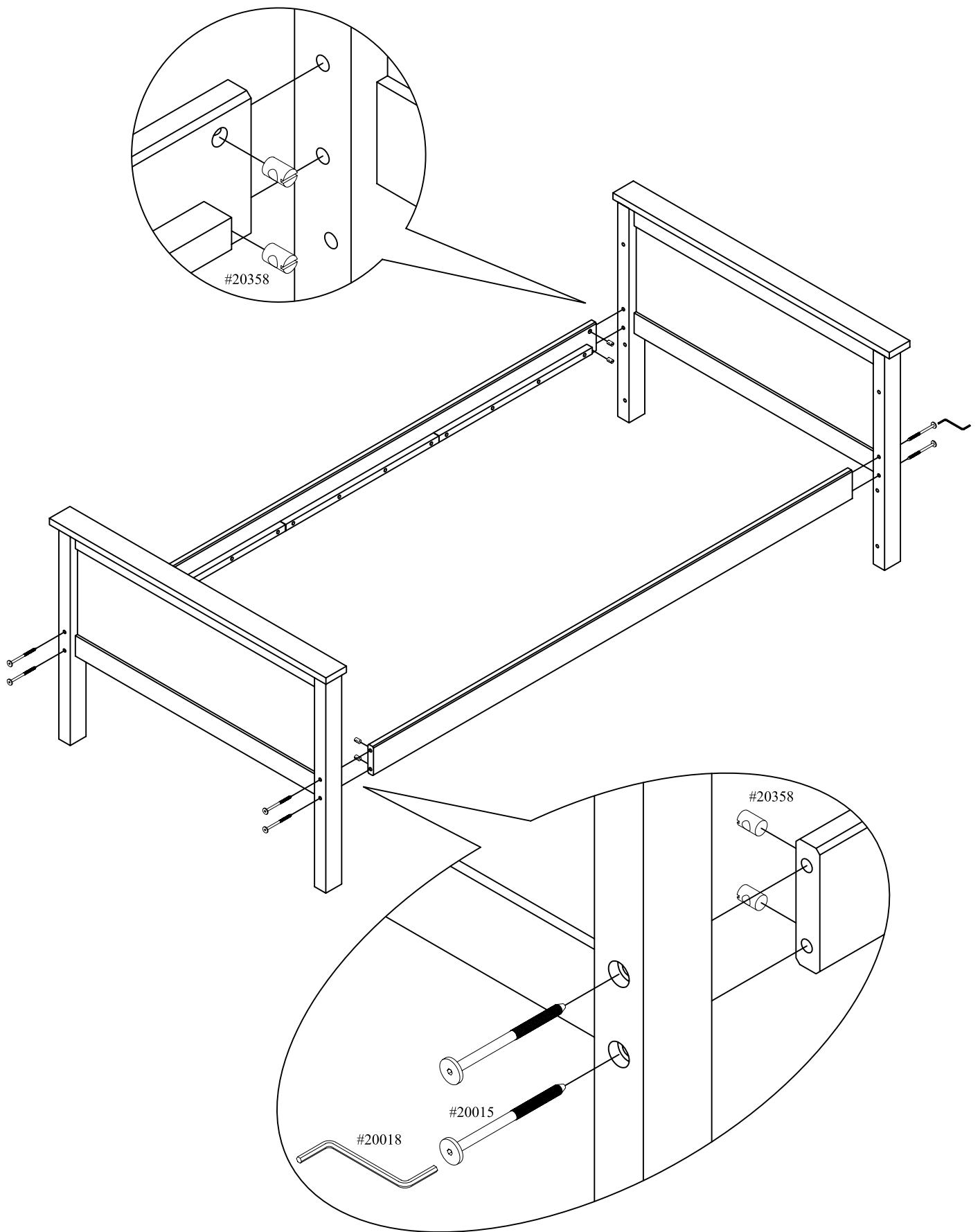
710100, 710350 AND 710702

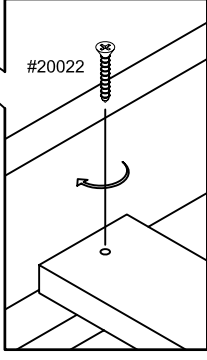
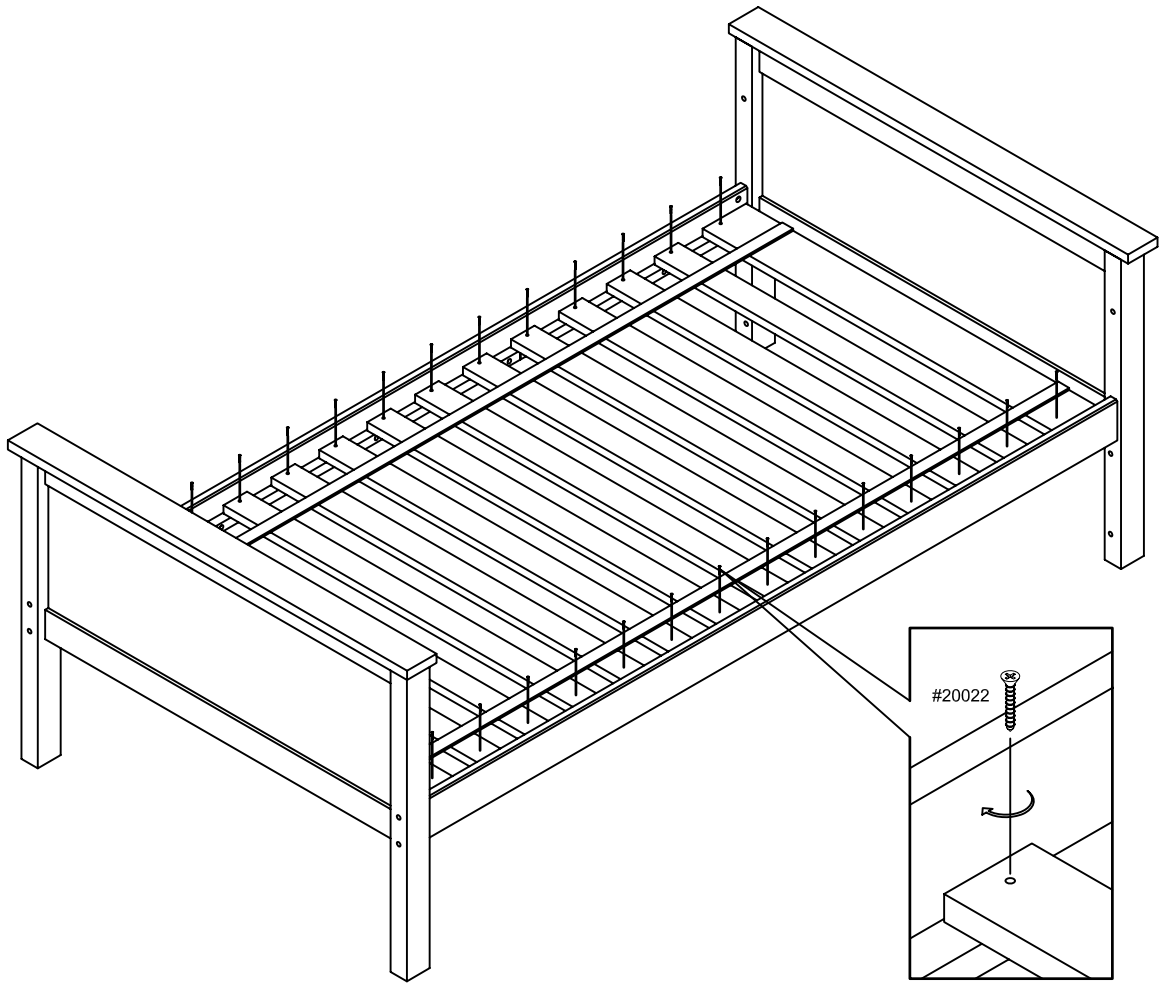
710300 FULL / FULL LOW BED ENDS WHIT TWIN SLATS

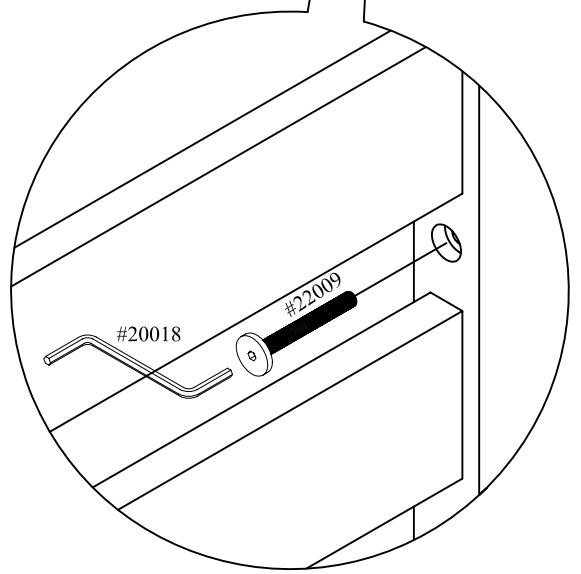
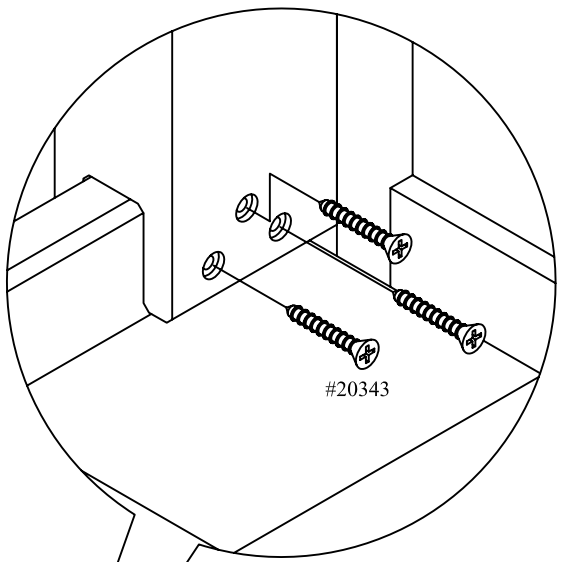
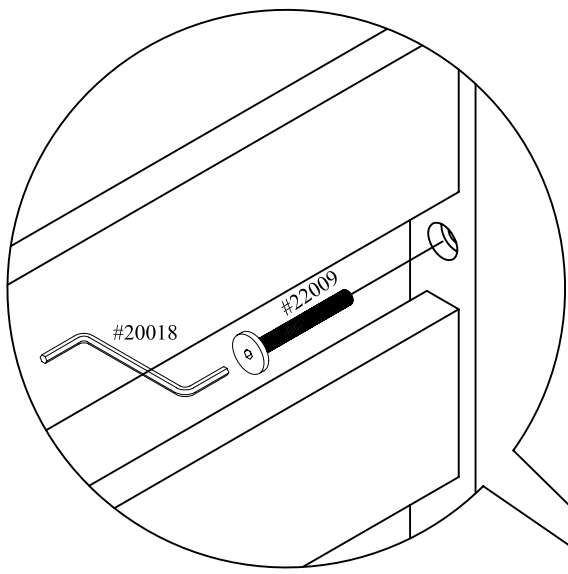
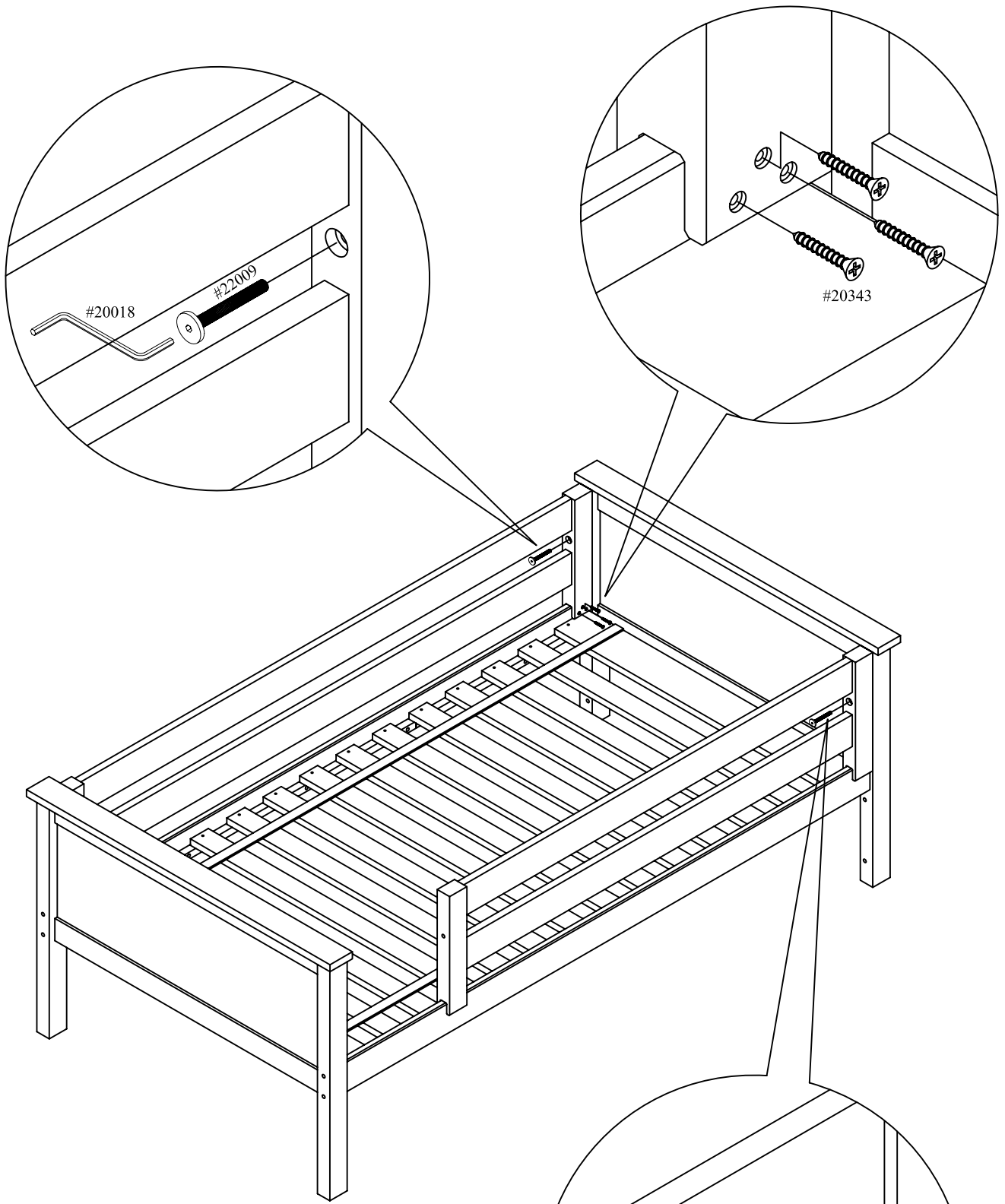
Twin low bed ends 	2	Full high bed ends 	2	Slats(Twin) 	14 x slats
Slats(Full) 	14 x slats	#22138 	2 x #22138	#20015: M8 110mm hex head bolt #20358: M8 Cross Dowel 	16 x #20015 16 x #20358
		#22097: M8 35mm hex head bolt 	12 x #22097	#20022: Wood Slat Screw 	56 x #20022
#20042: Drill Bit #20018: Hex Wrench 5mm 	2 x #20042 2 x #20018	#22139 	28 x #22139	#21001: 11mm wood plugs 	4 x #21001

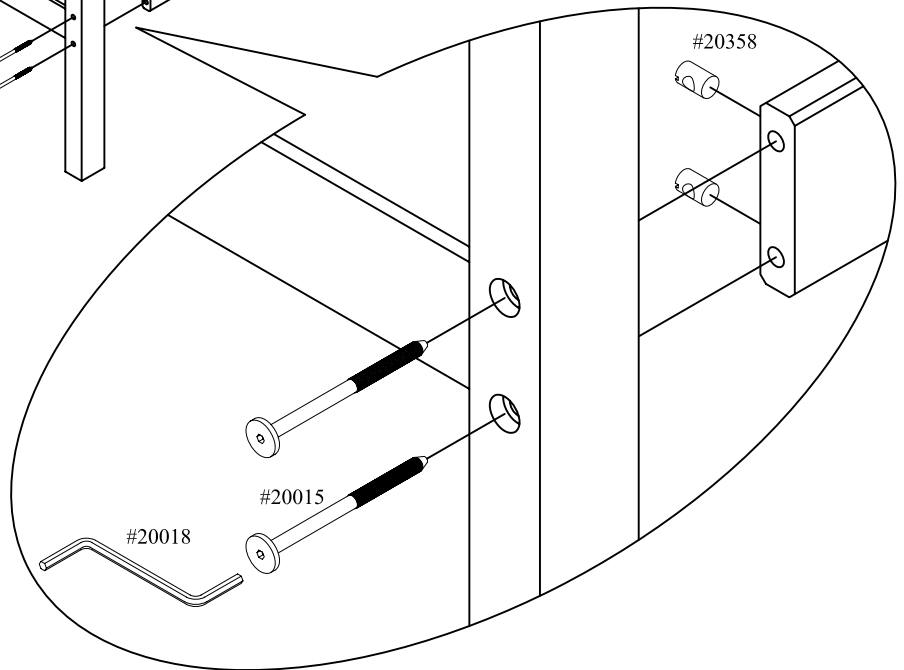
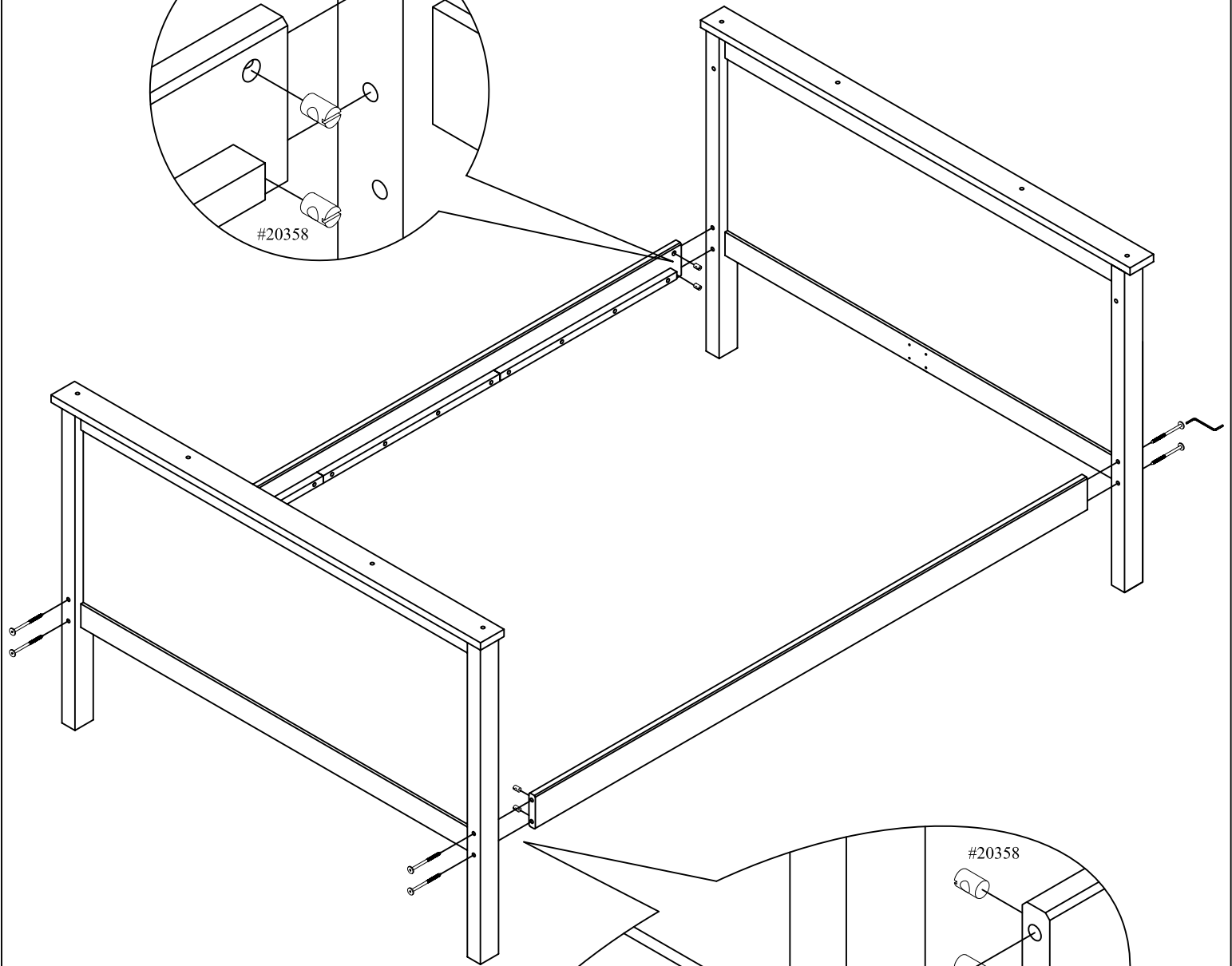
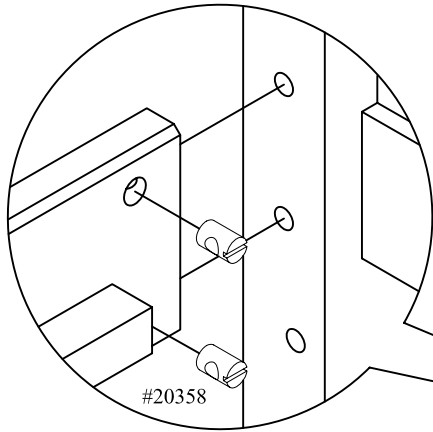
710702 FULL / FULL BUNK RAIL SETS

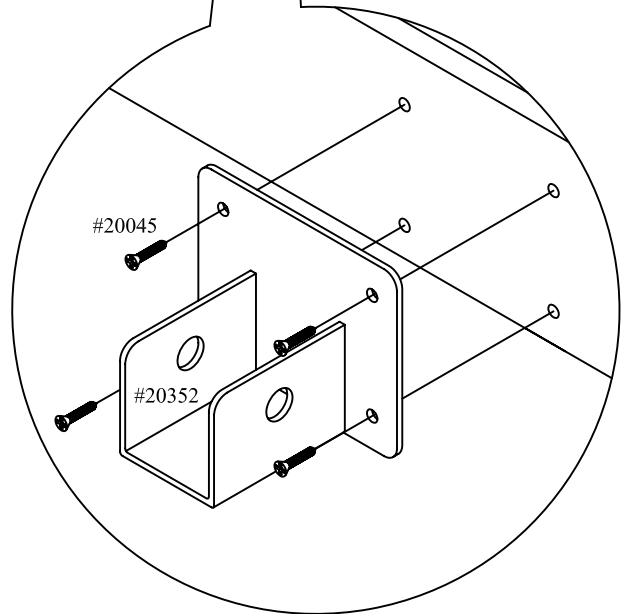
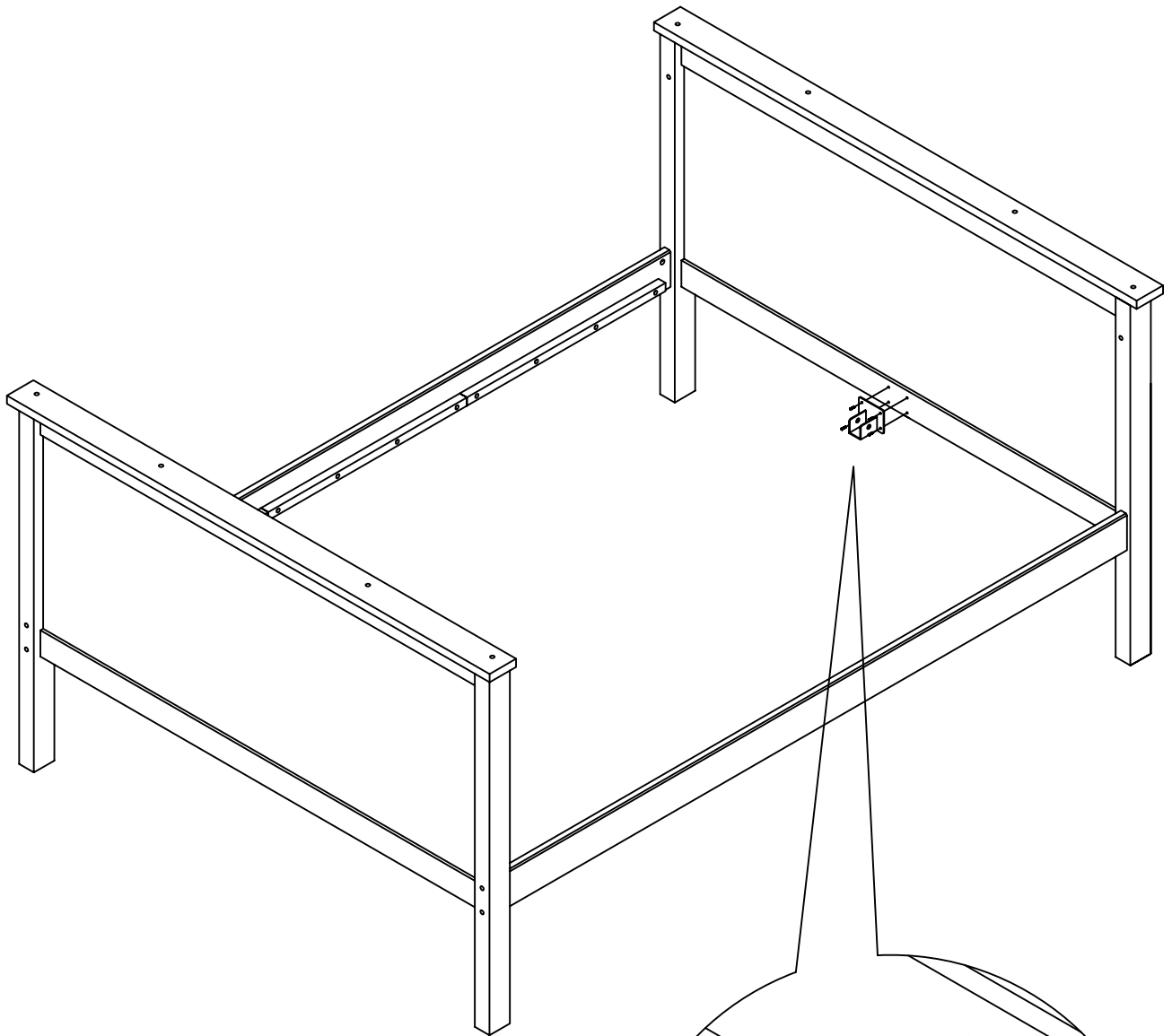
Bed side rail 	2 x set	Back guard rail 	1	3/4 Guard rail 	1
Underbed support beam 	1	#20018: Hex Wrench 5mm #20125: Hex wrench 4mm 	1 x #20018 2 x #20125	#20343: 25mm wood screw #20045: 19mm wood screw 	12 x #20343 8 x #20045
		#20124: 30mm bolt 	2 x #20124 2 x #20123	#20352 	#20352 x 2
#22009: M8 78mm hex bolt 	3 x #22009	#22139 	4 x #22139	#21001: 11mm wood plugs 	1 x #21001

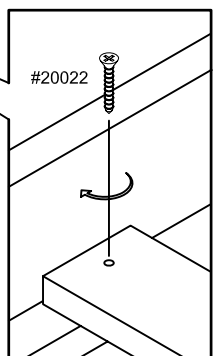
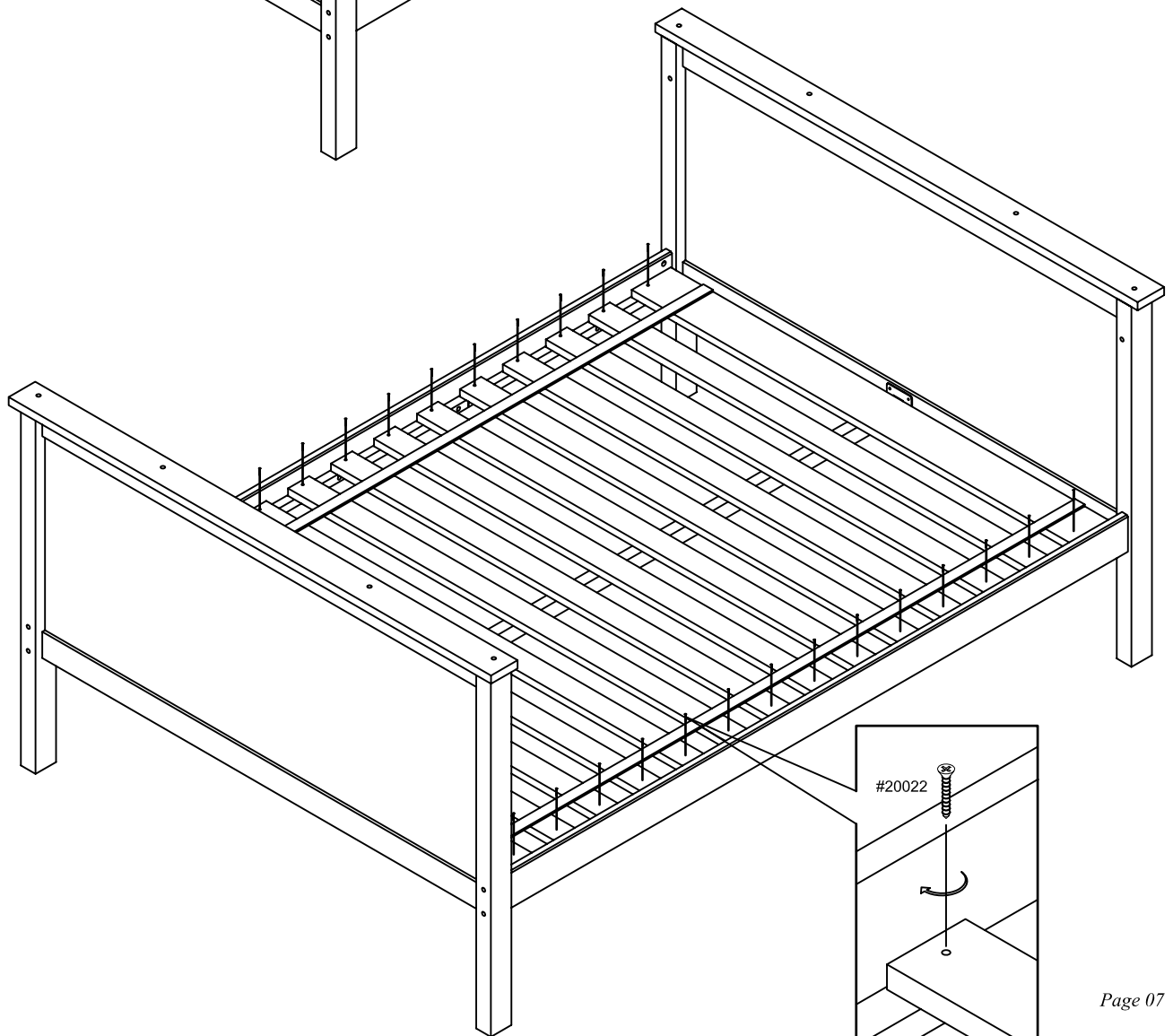
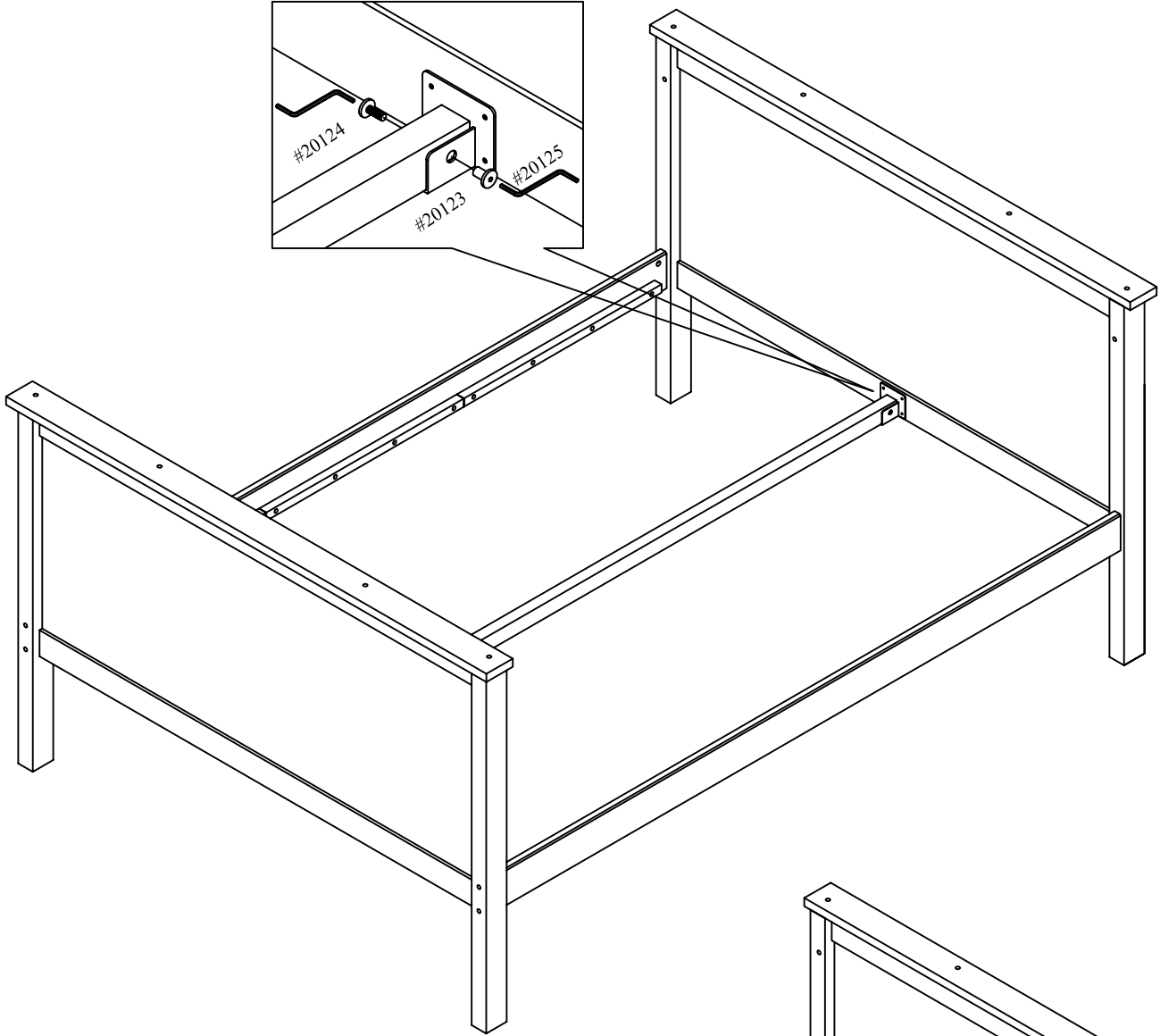
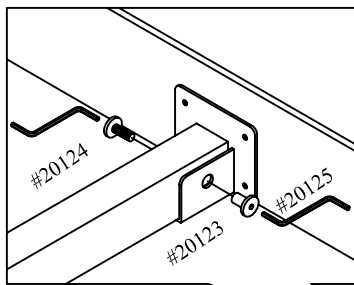






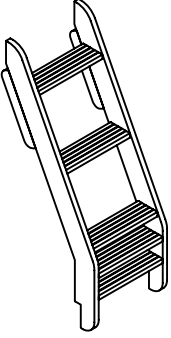
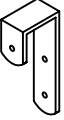








ASSEMBLY INSTRUCTION

710602

	#20039: J-Hook 	#20045: 19mm wood screw #20022: 30mm wood screw 	4 x #20039 4 x #20045 8 x #20022
	#20056: Twin/Full metal connector 	4 x #20056	

