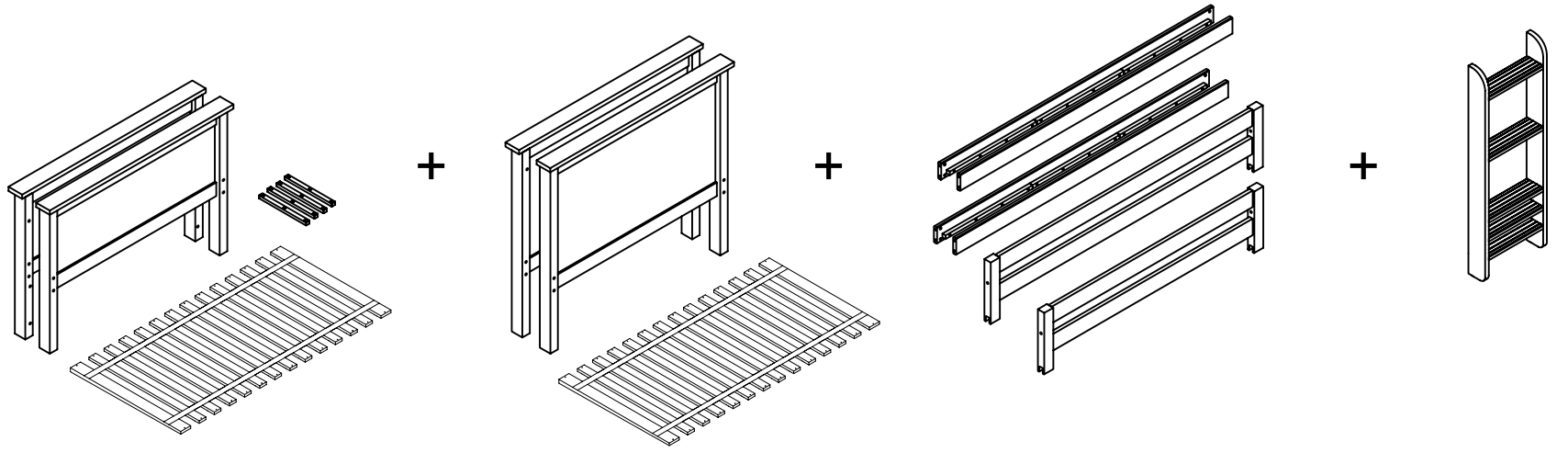
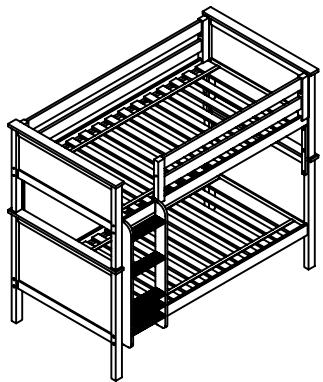


TWIN / TWIN BUNK BEDS

“Cartons needed to assemble this bed”



710100

710150

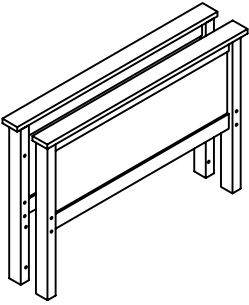
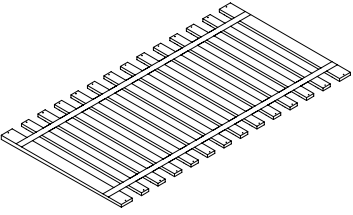
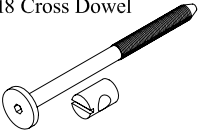
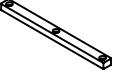


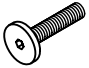
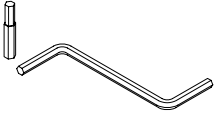
710701

710601

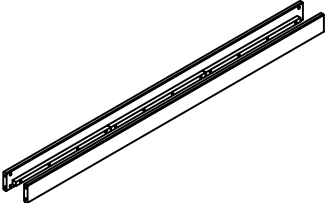
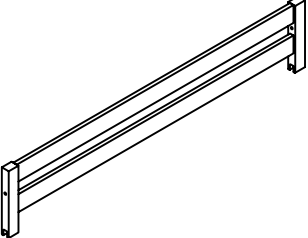
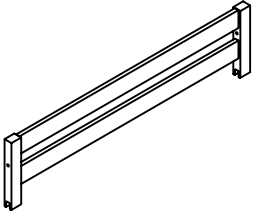
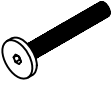




ASSEMBLY INSTRUCTION

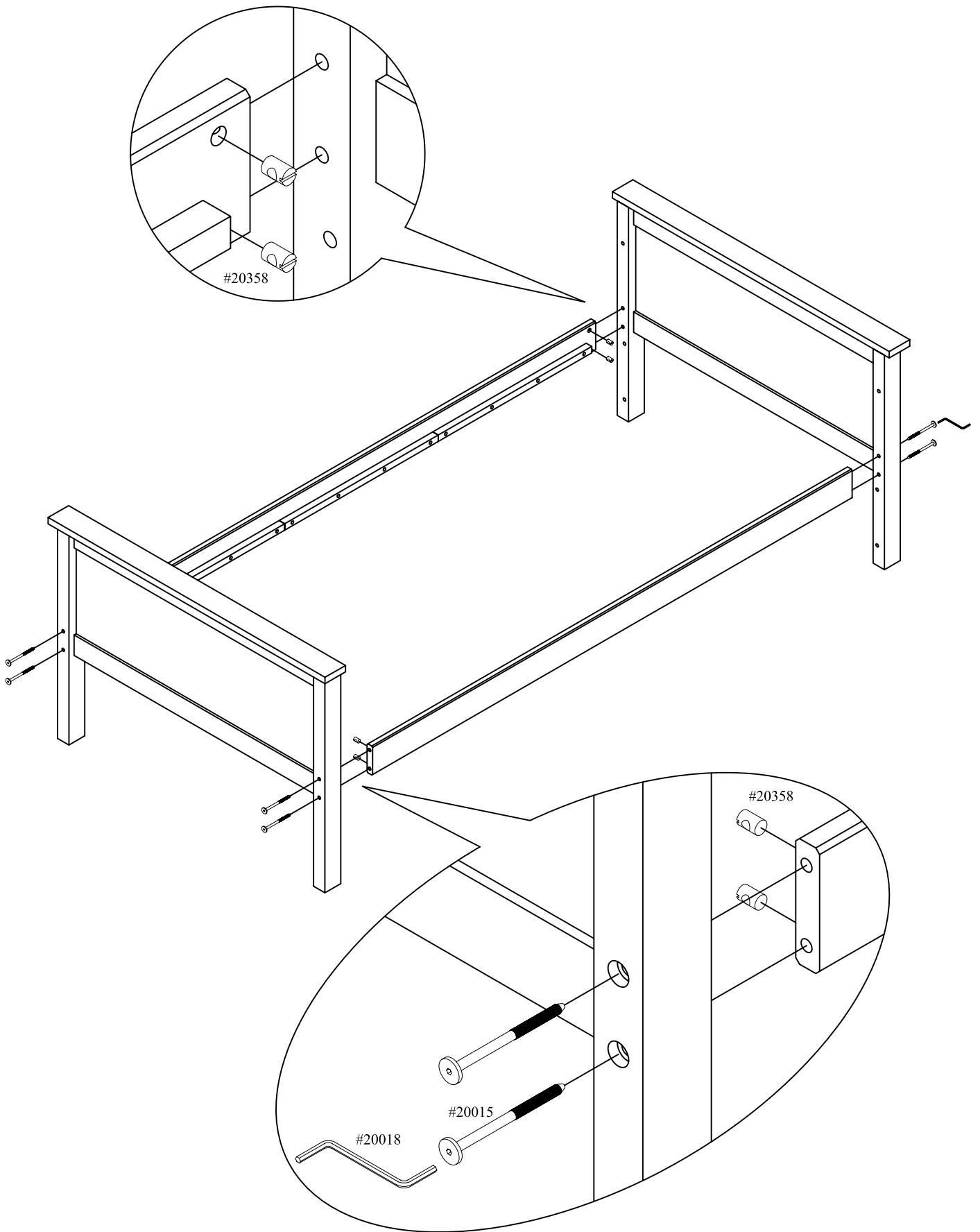
710100 AND 710701

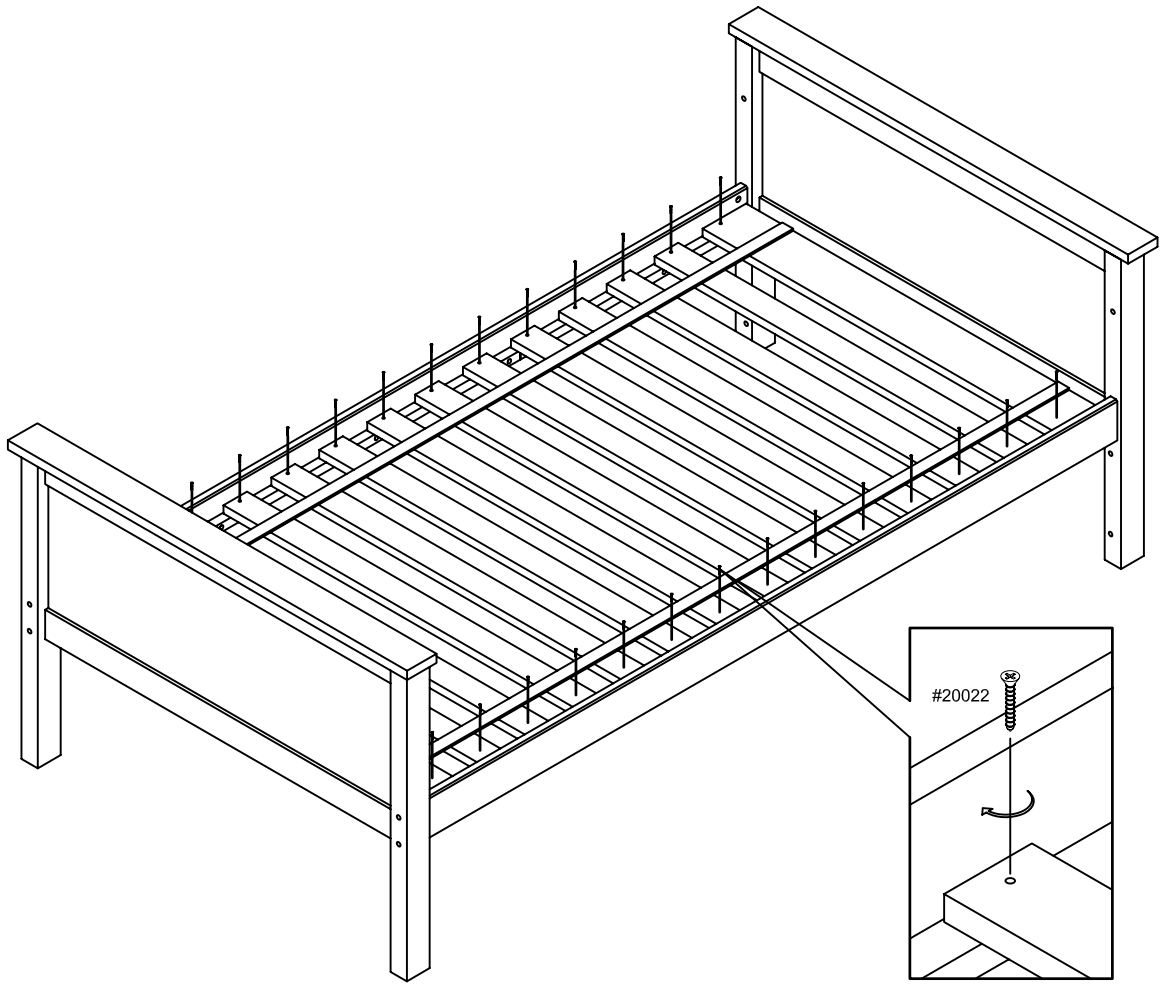
710100 TWIN / TWIN LOW BED ENDS WHIT TWIN SLATS

<p>Twin low bed ends</p> 	2	<p>Slats</p> 	14 x slats	<p>#20015: M8 110mm hex head bolt #20358: M8 Cross Dowel</p> 	8 x #20015 8 x #20358
<p>#22138</p> 	4 x #22138	<p>#22139</p> 	20 x #22139	<p>#20022: Wood Slat Screw</p> 	28 x #20022
<p>#22097: M8 35mm hex head bolt</p> 	12 x #22097	<p>#20042: Drill Bit #20018: Hex Wrench 5mm</p> 	1 x #20042 1 x #20018		

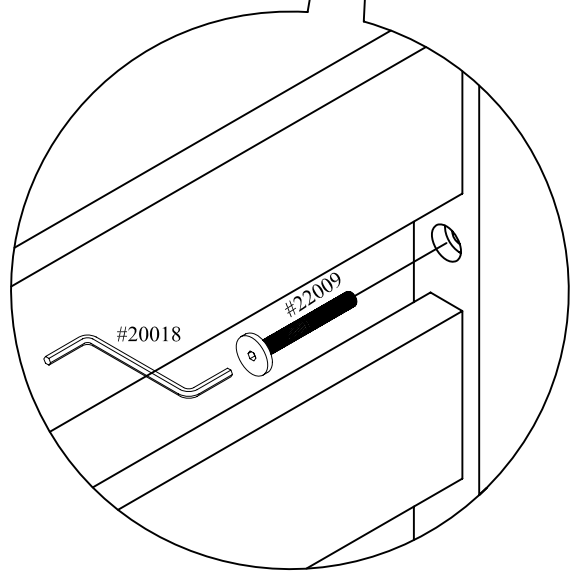
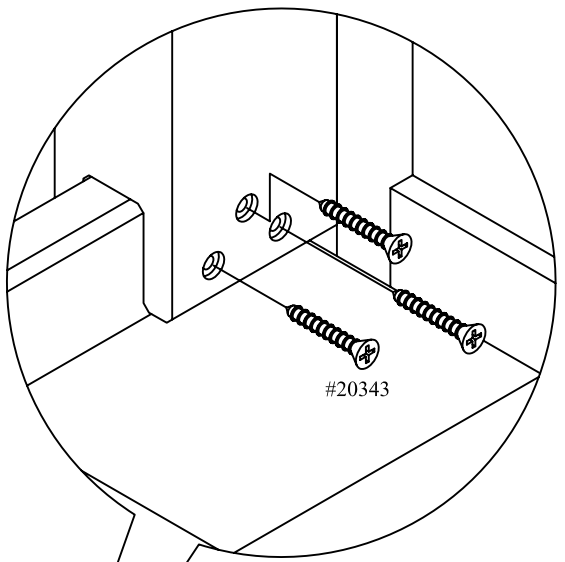
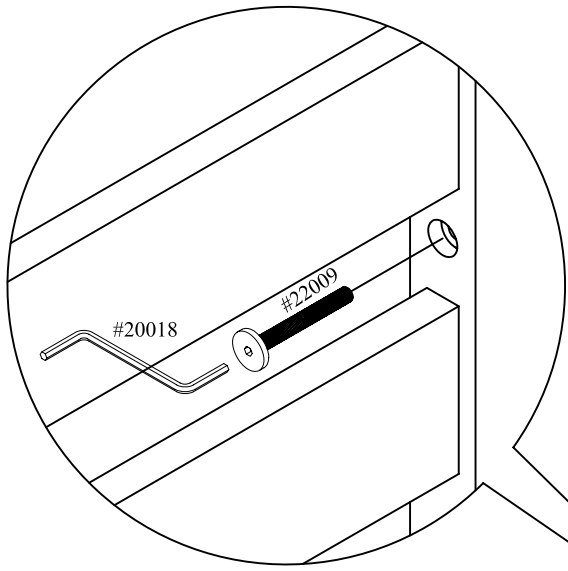
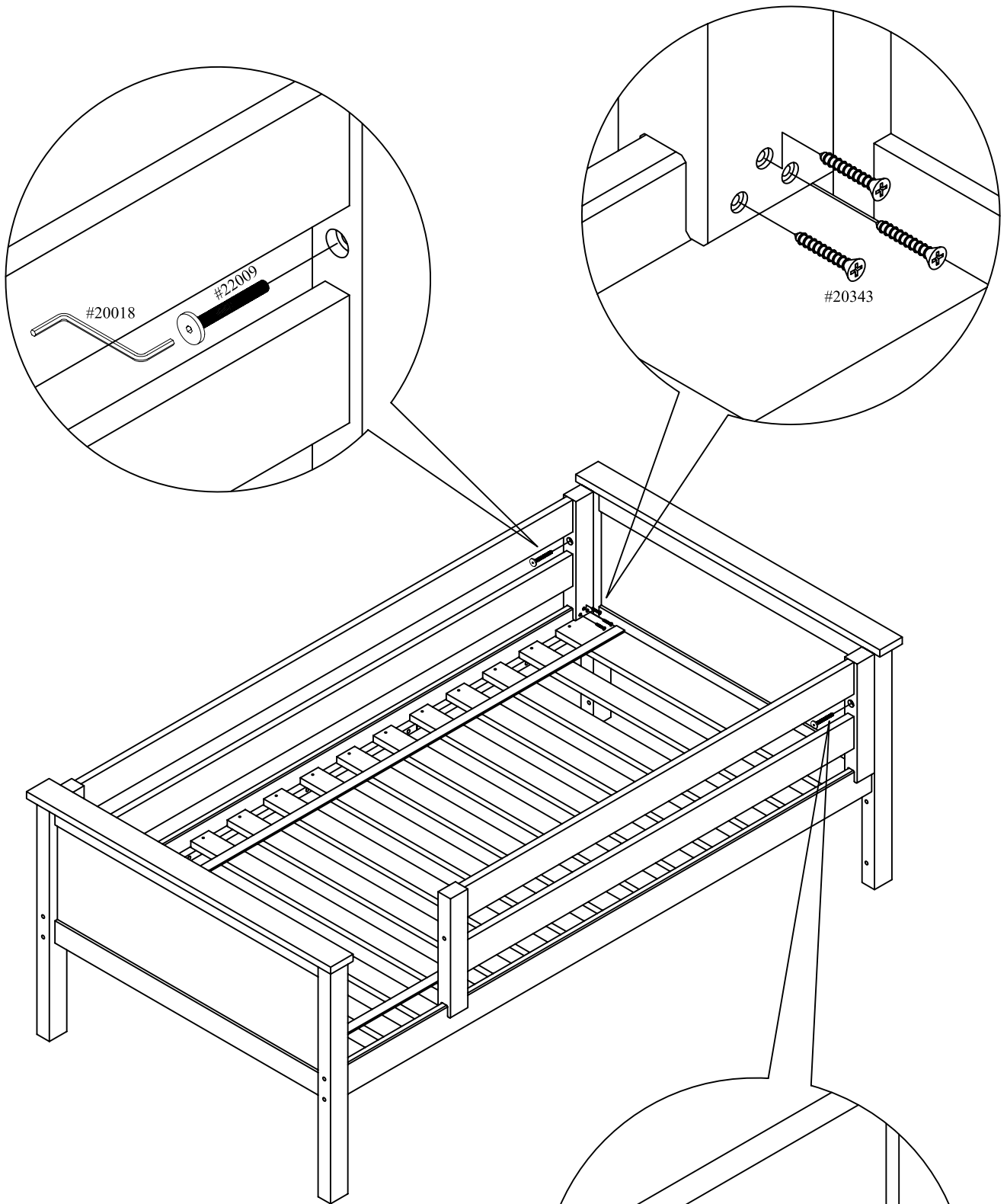
710701 TWIN / TWIN & TWIN / FULL BUNK RAIL SETS

<p>Bed side rail</p> 	2 x set	<p>Back guard rail</p> 	1	<p>3/4 Guard rail</p> 	1
<p>#22009: M8 78mm hex bolt</p> 	3 x #22009	<p>#20018: Hex Wrench 5mm</p> 	1 x #20018	<p>#20343: 25mm wood screw</p> 	12 x #20343
<p>#22139</p> 	4 x #22139	<p>#21001: 11mm wood plugs</p> 	1 x #21001		





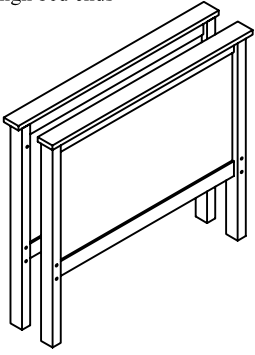
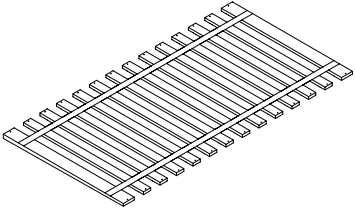
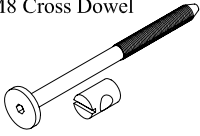
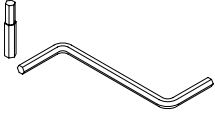


#20022

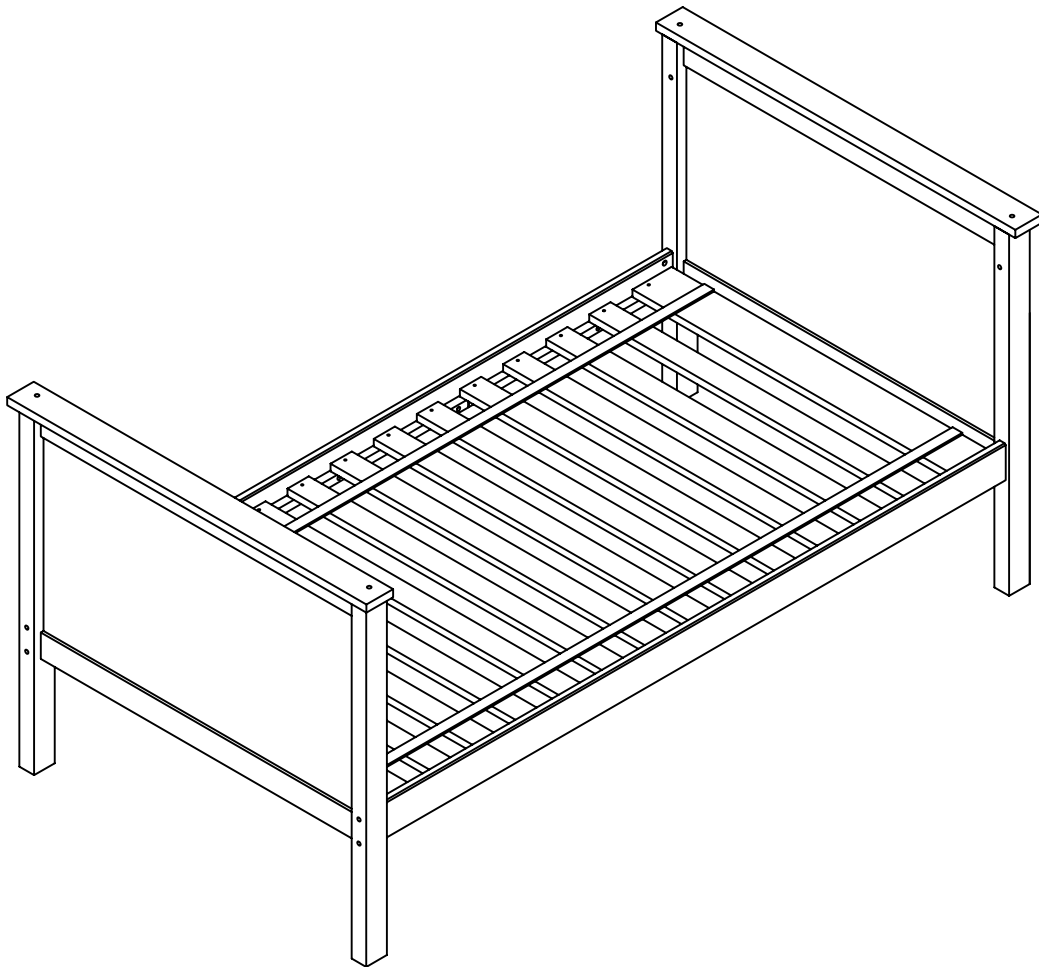


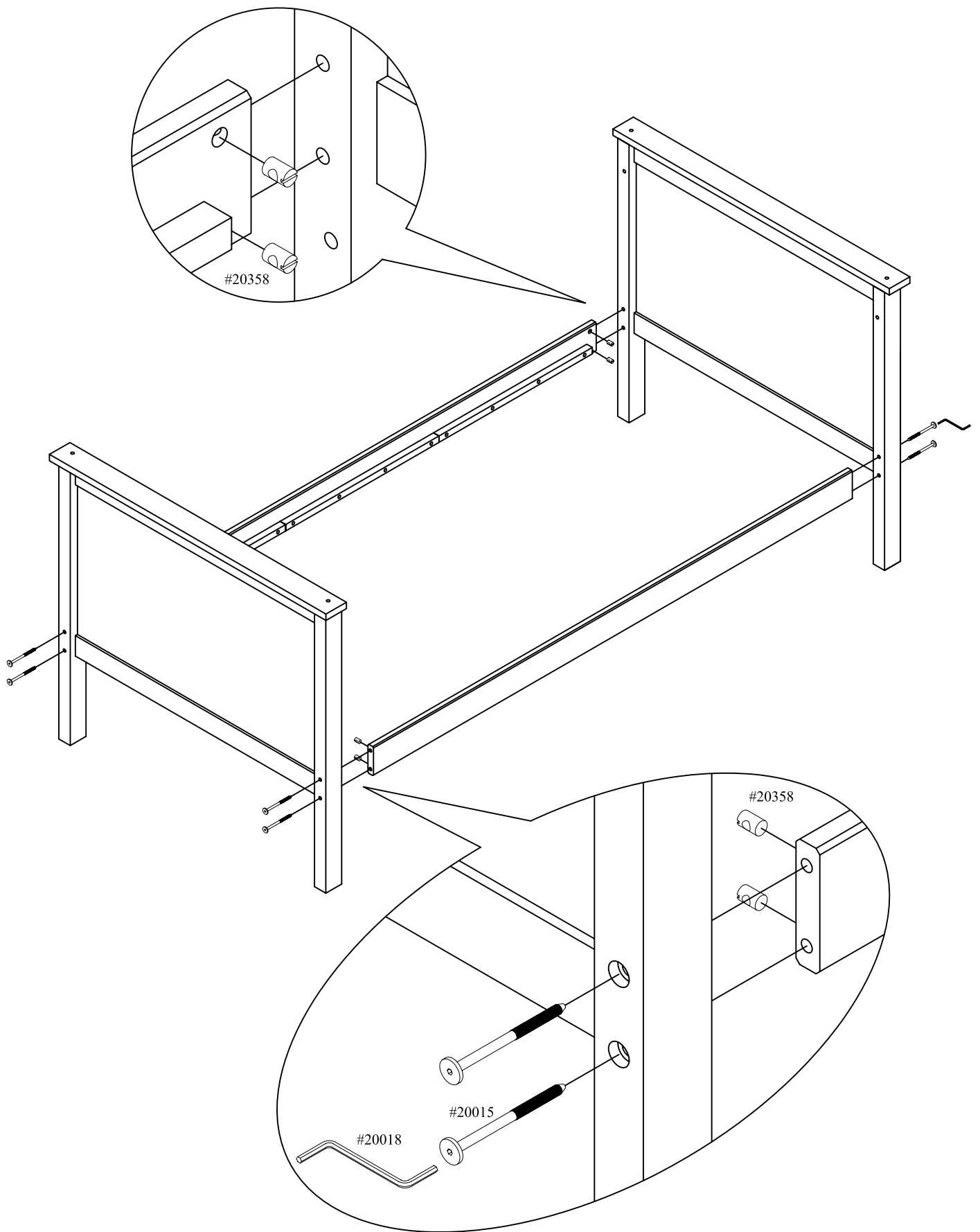
ASSEMBLY INSTRUCTION

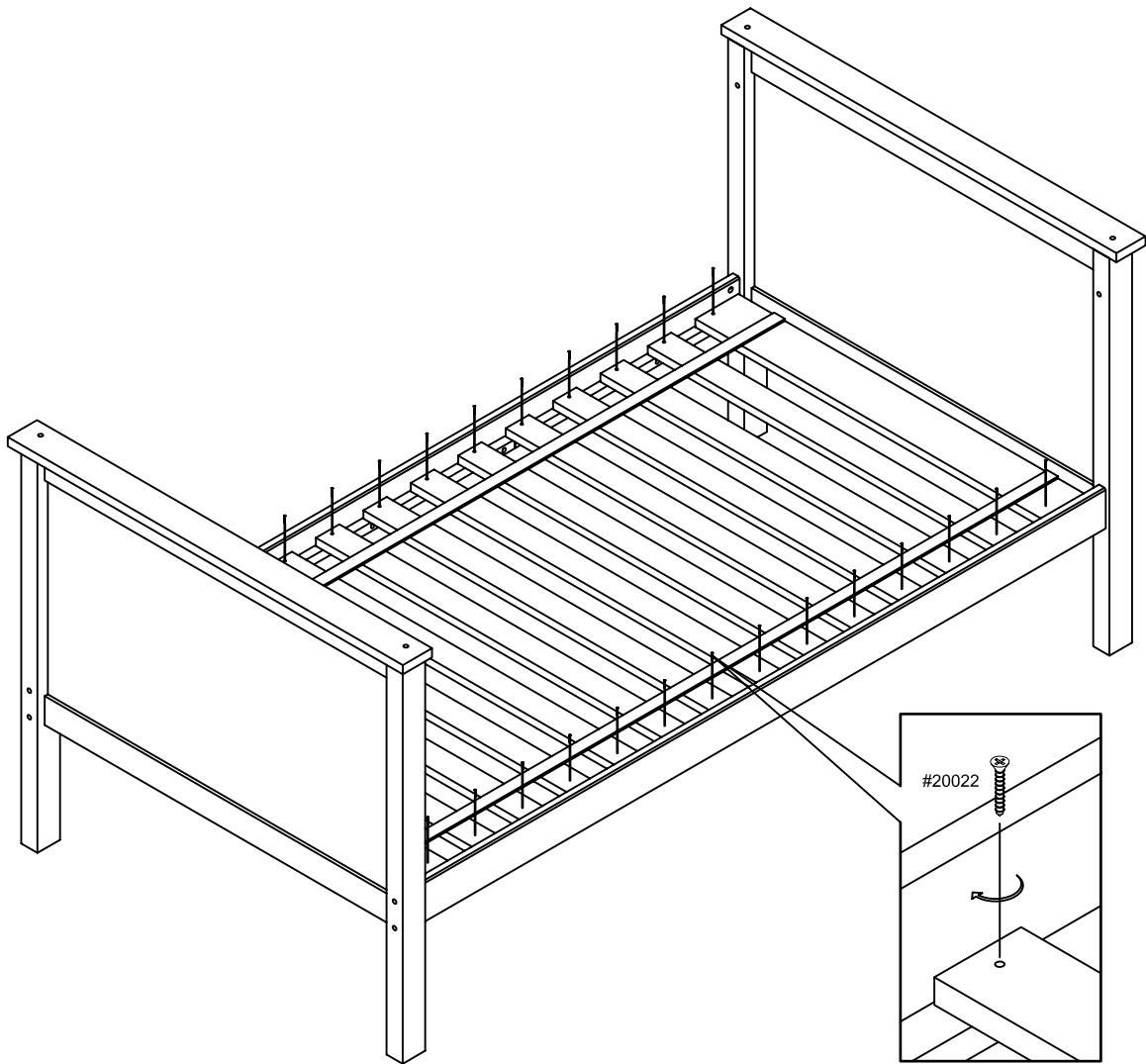
710150

710150 TWIN / TWIN HIGH BED ENDS WITH TWIN SLATS

<p>Twin high bed ends</p> 	<p>2</p>	<p>Slats</p> 	<p>14 x slats</p>	<p>#20015: M8 110mm hex head bolt #20358: M8 Cross Dowel</p> 	<p>8 x #20015 8 x #20358</p>
<p>#20042: Drill Bit #20018: Hex Wrench 5mm</p> 	<p>1 x #20042 1 x #20018</p>	<p>#22139</p> 	<p>8 x #22139</p>	<p>#20022: Wood Slat Screw</p> 	<p>28 x #20022</p>

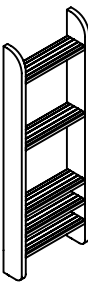
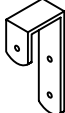

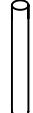






ASSEMBLY INSTRUCTION

710601

	<p>#20039: J-Hook</p> 	<p>4 x #20039</p>	<p>#20045: 19mm wood screw #20022: 30mm wood screw</p> 	<p>4 x #20045 8 x #20022</p>
	<p>#20056: Twin/Full metal connector</p> 	<p>4 x #20056</p>		

