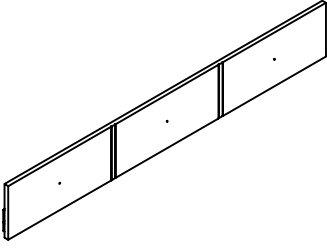
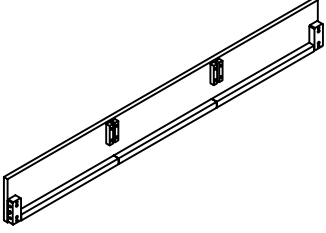
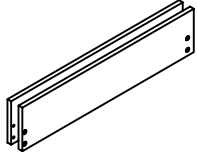
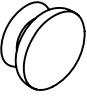
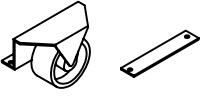

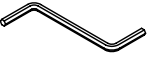
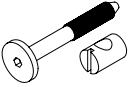



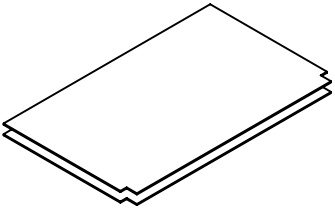
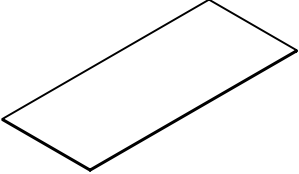
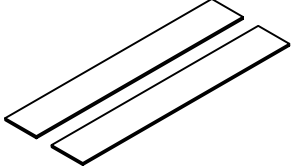
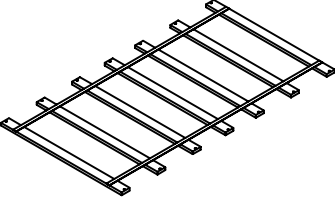

ASSEMBLY INSTRUCTION

710801 AND 710802

710801 TRUNDLE STORAGE BED (BOX 1 OF 2)

| | | | | | |
|--|------------|---|--------------------------|--|------------|
| #22140:Trundle front panel  | 1 x #22140 | #22141:Trundle back panel  | 1 x #22141 | #21044:Trundle side panel  | 1 x #21044 |
| #20046: Knob  | 3 x #20046 | #20005: Trundle wheel  | 4 x #20005 | #20022: wood screw  | 8 x #20022 |
| #20018: Hex wrench 5mm  | 1 x #20018 | #20013: M8 60mm hex bolt #20358: M8 cross dowel  | 8 x #20013 8 x #20358 | #20434: Bolt 4 x 30mm  | 3 x #20434 |

710802 TRUNDLE STORAGE BED (BOX 2 OF 2)

| | | | | | |
|--|------------|--|-------------|---|------------|
| #22142  | 2 x #22142 | #22143  | 1 x #22143 | #22144  | 1 x #22144 |
| Slats  | 7 x slats | #20022: Wood Slat Screw  | 14 x #20022 | | |

