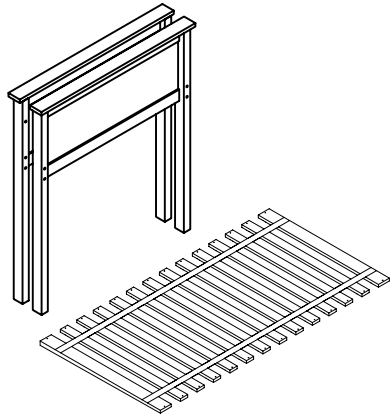
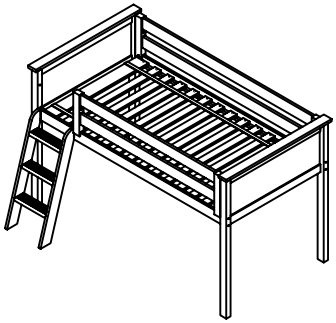


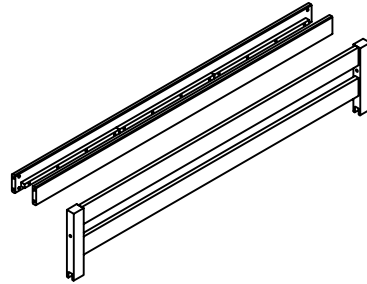
LOW LOFT BED

“Cartons needed to assemble this bed”



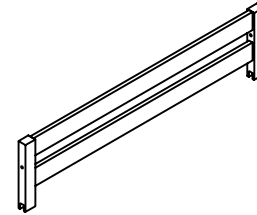
710110

+



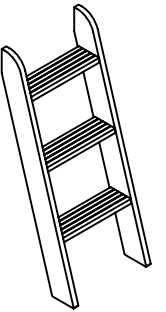
710700

+



710703

+

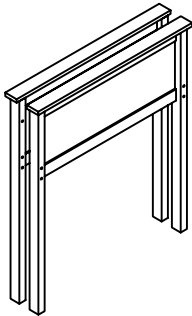
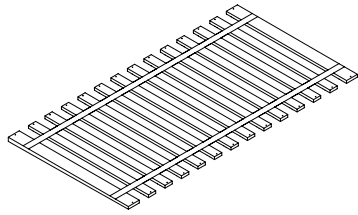
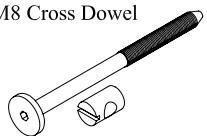


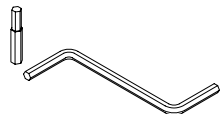


710600

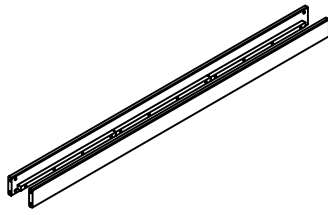
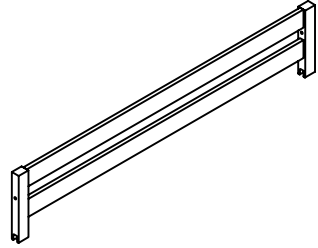




ASSEMBLY INSTRUCTION

710110,710700 AND 710703

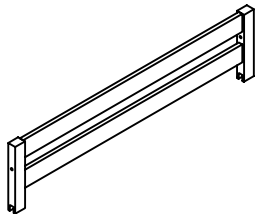
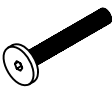




710110 LOW LOFT BED ENDS AND SLATS

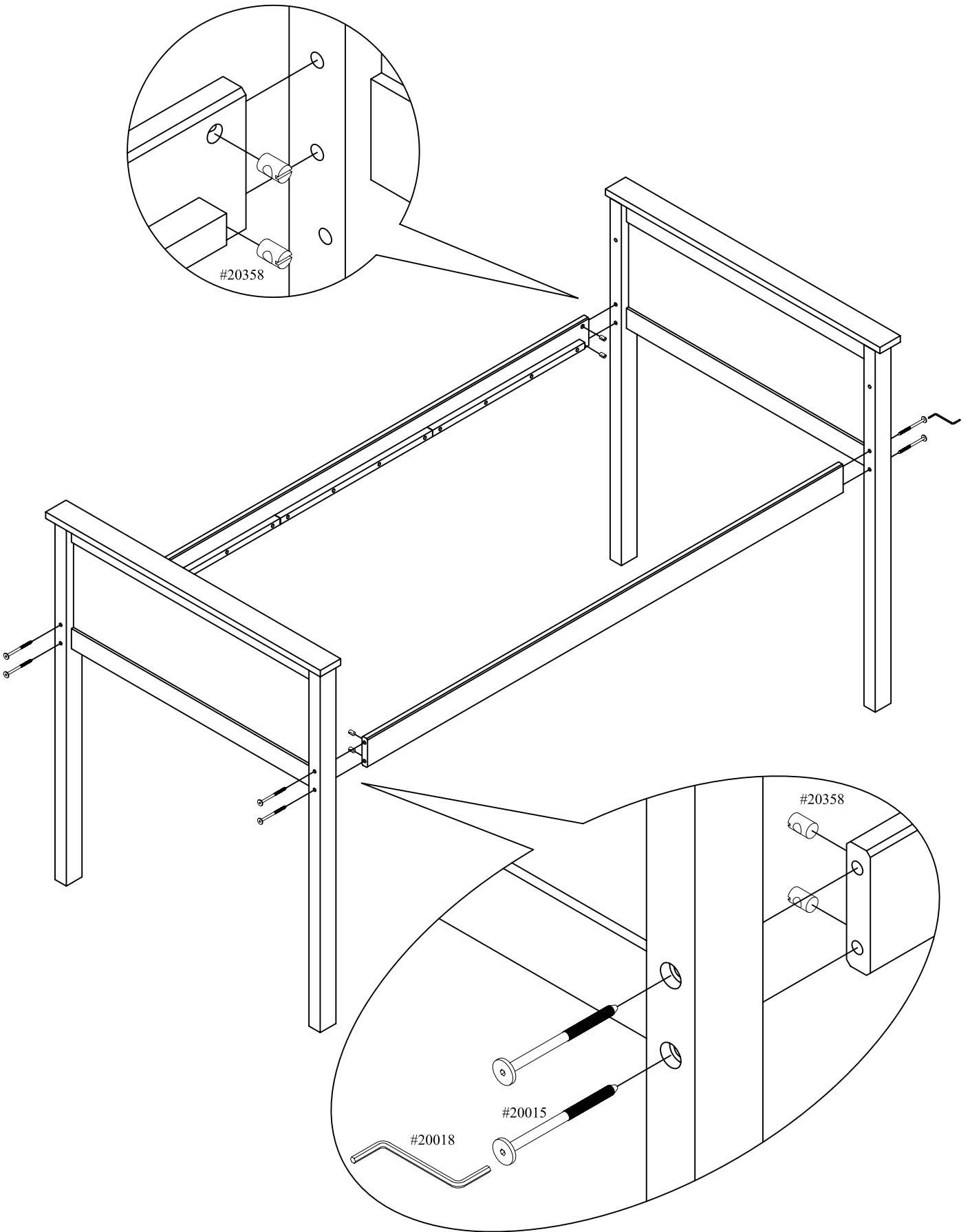
Low loft bed ends 	2	Slats 	14 x slats	#20015:M8 110mm hex head bolt #20358: M8 Cross Dowel 	8 x #20015 8 x #20358
				#20022: Wood Slat Screw 	28 x #20022
#22139 	8 x #22139	#20042: Drill Bit #20018: Hex Wrench 5mm 	1 x #20042 1 x #20018		

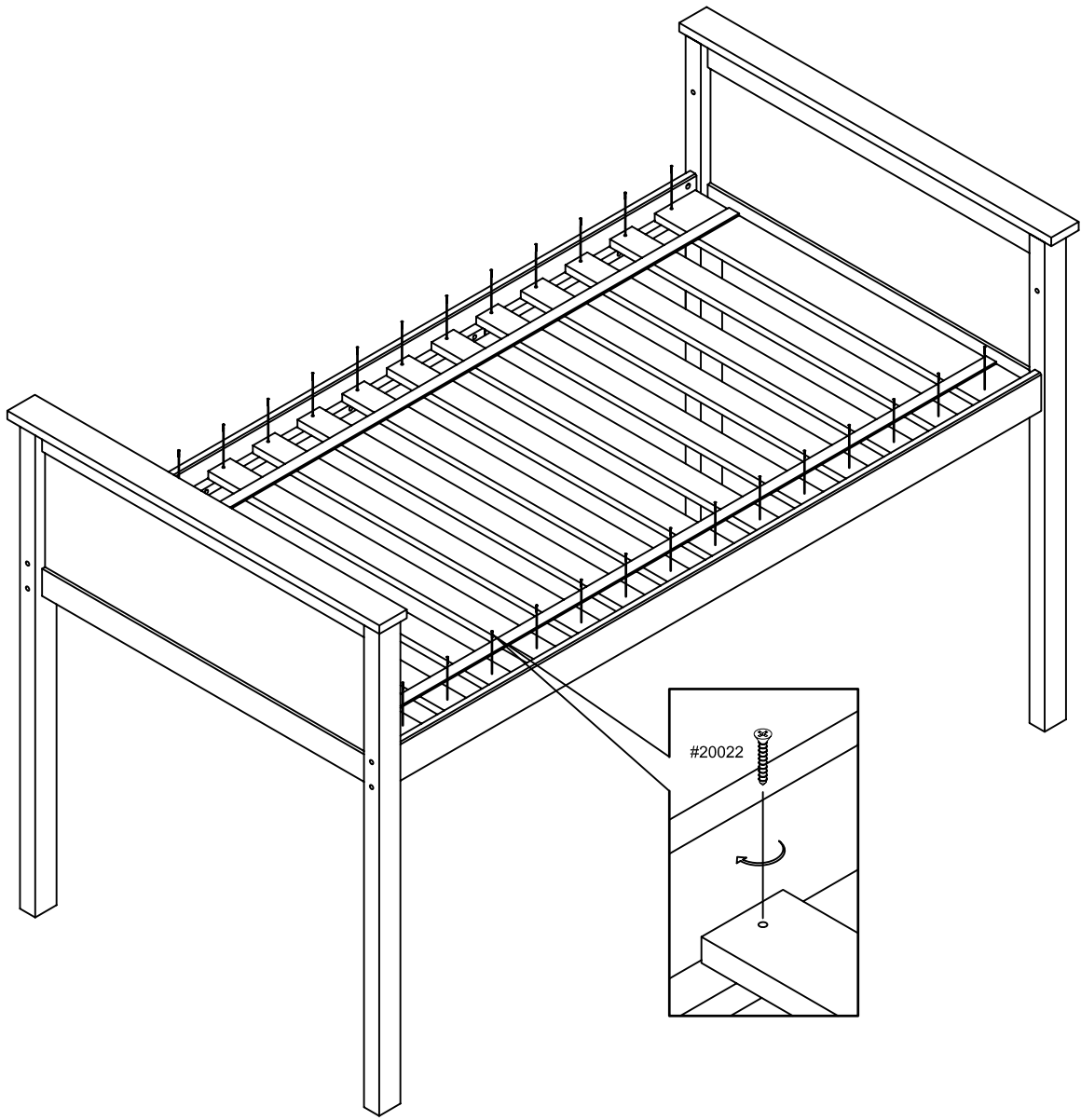
710700 BED SIDE RAILS AND BACK RAILS

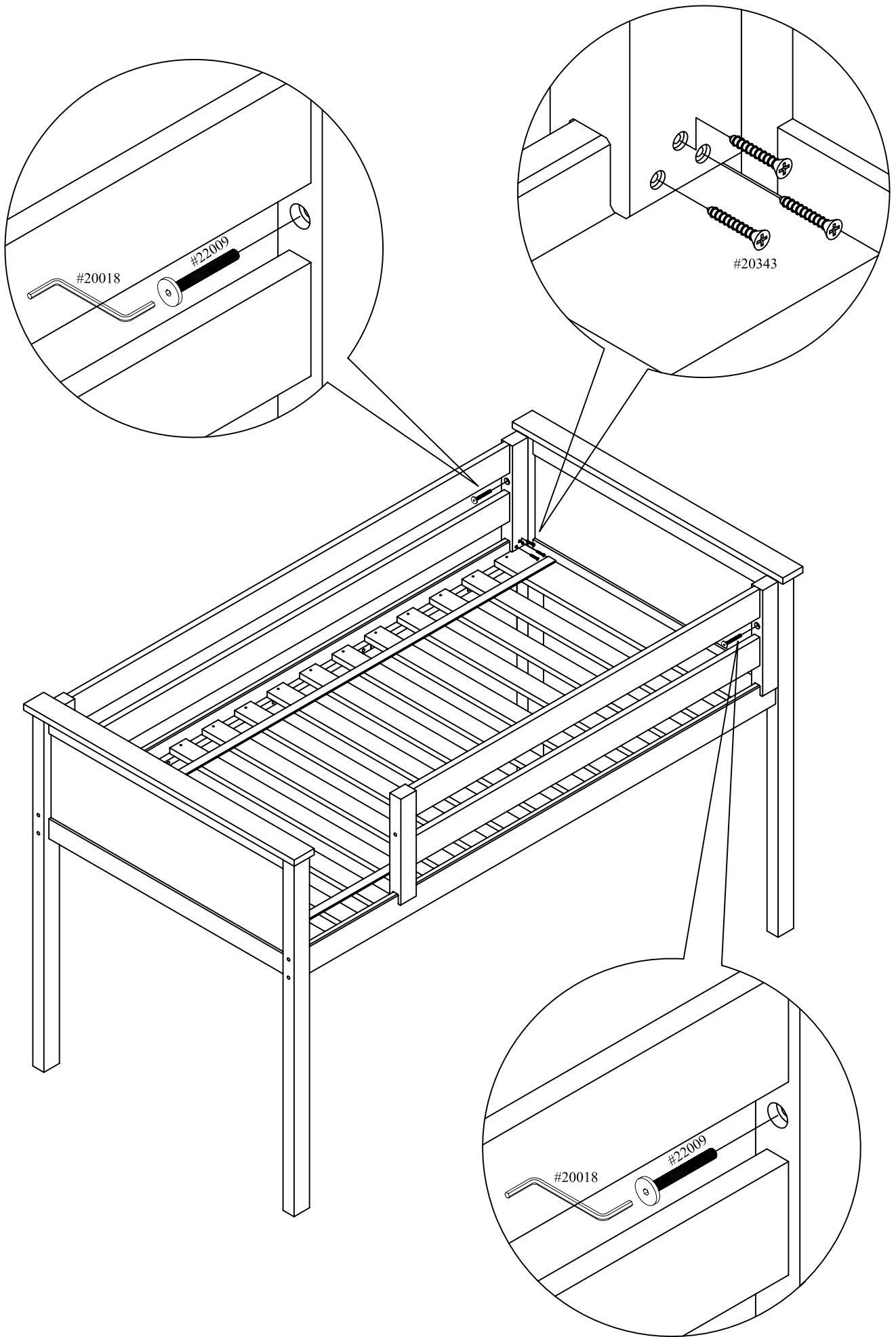
Bed side rail 	1 x set	Back guard rail 	1	#22009:M8 78mm hex bolt 	2 x #22009
				#20343:25mm wood screw 	6 x #20343
#20018: Hex Wrench 5mm 	1 x #20018	#22139 	2 x #22139		

710703 3/4 GUARD RAIL

3/4 Guard rail 	1	#22009:M8 78mm hex bolt 	1 x #22009	#20343:25mm wood screw 	6 x #20343
		#20018: Hex Wrench 5mm 	1 x #20018	#21001: 11mm wood plugs 	1 x #21001
#22139 	2 x #22139				

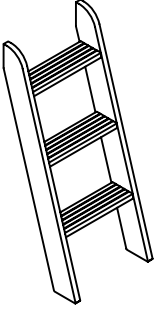
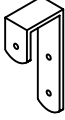



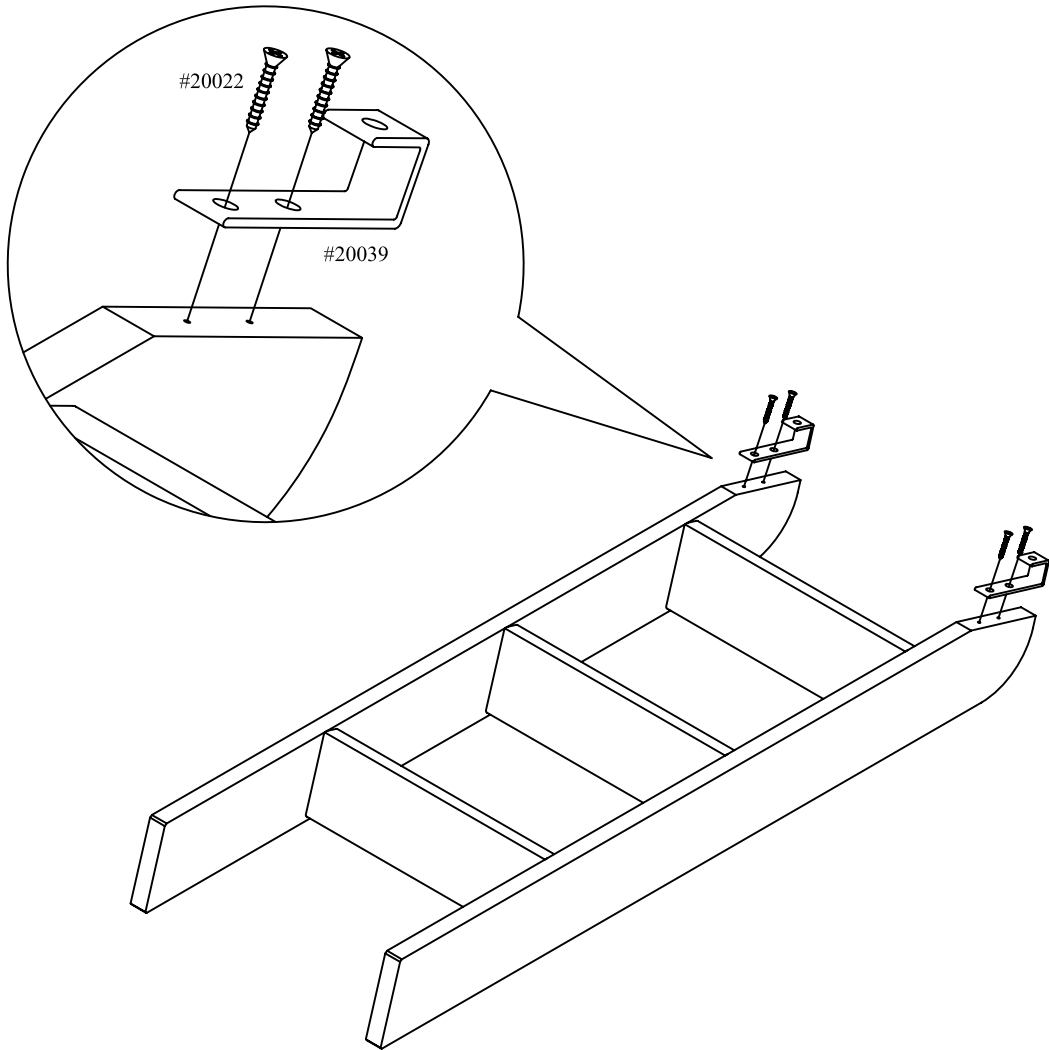


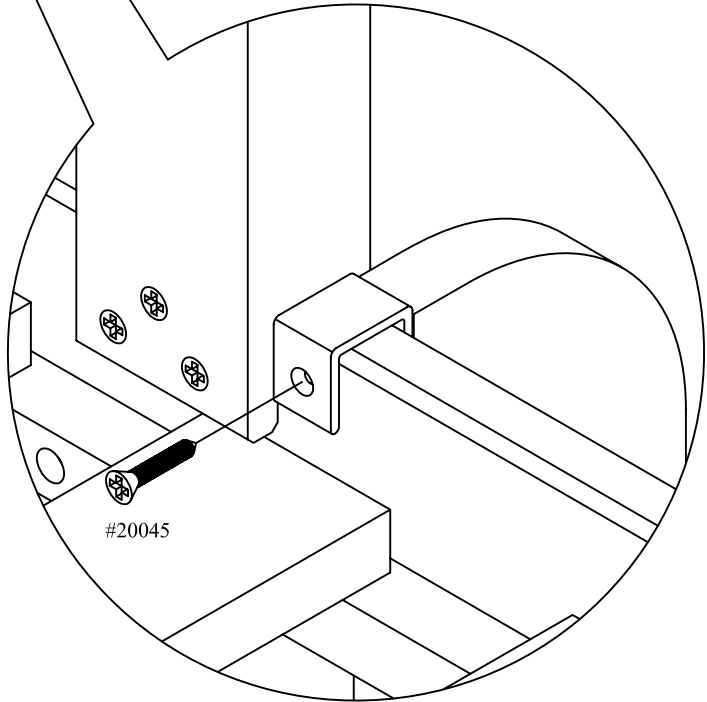
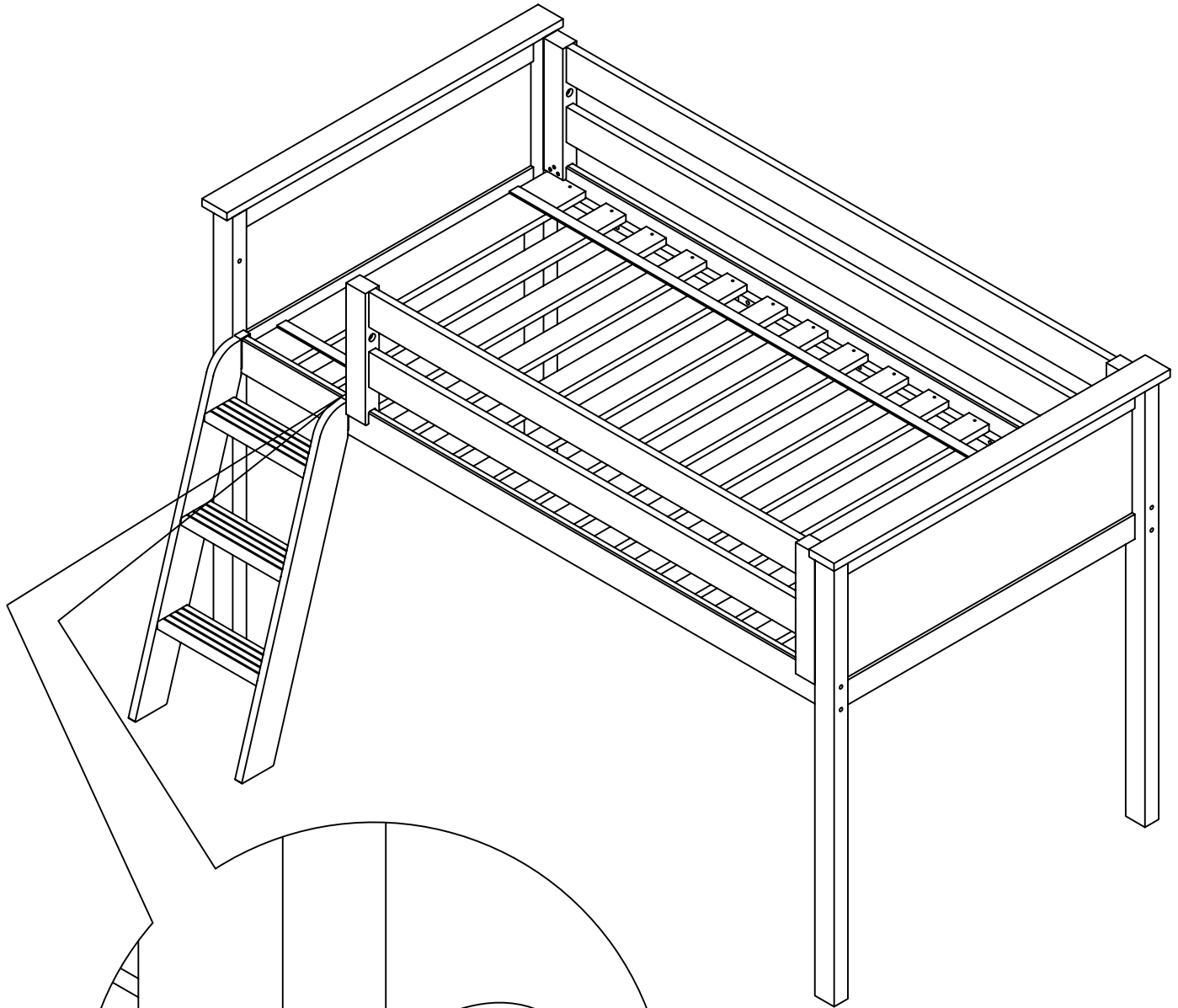


ASSEMBLY INSTRUCTION

710600

		#20039: J-Hook 	2 x #20039	#20045: 19mm wood screw #20022: 30mm wood screw 	2 x #20045 4 x #20022





#20045

