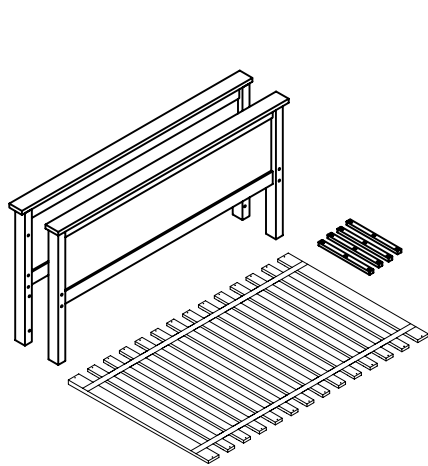
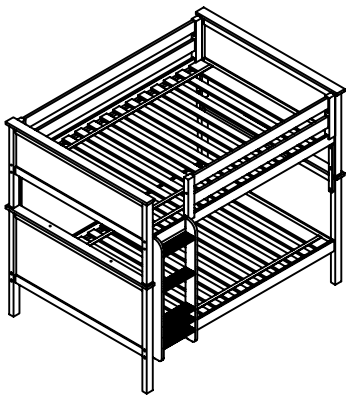


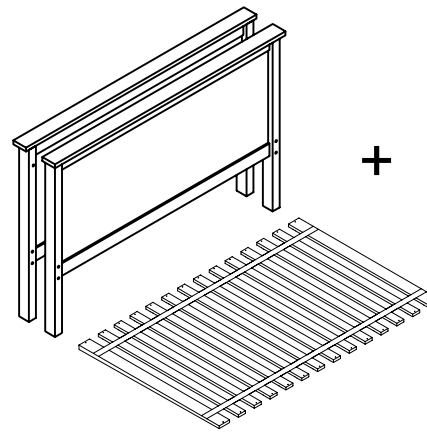
FULL / FULL BUNK BEDS

“Cartons needed to assemble this bed”



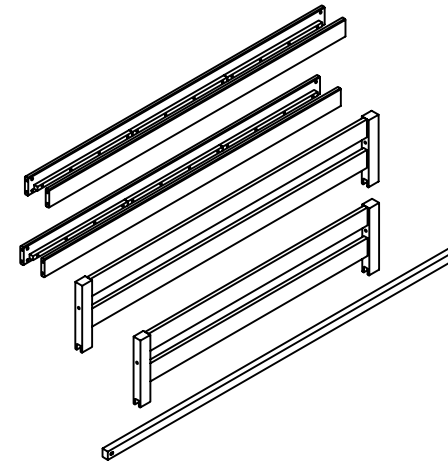
710300

+



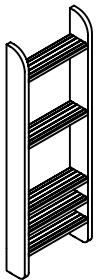
710350

+



710702

+

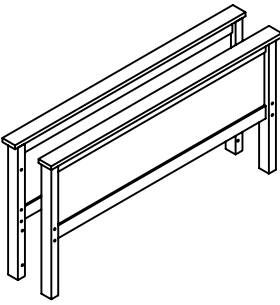
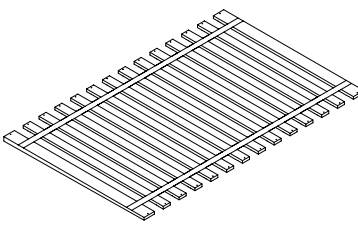
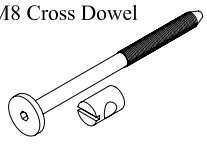
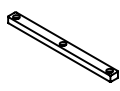

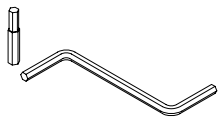
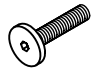


710601

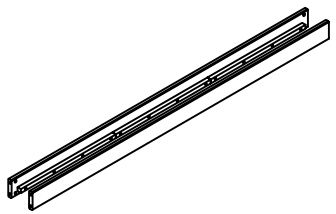
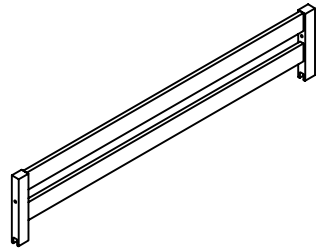
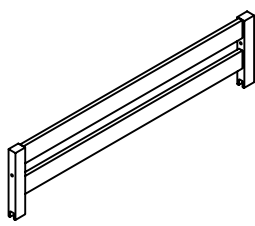
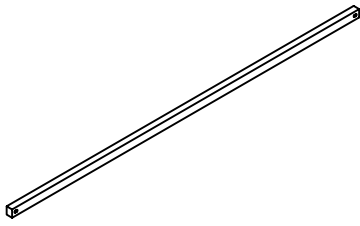


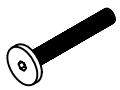


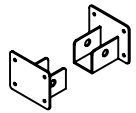
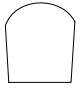
ASSEMBLY INSTRUCTION

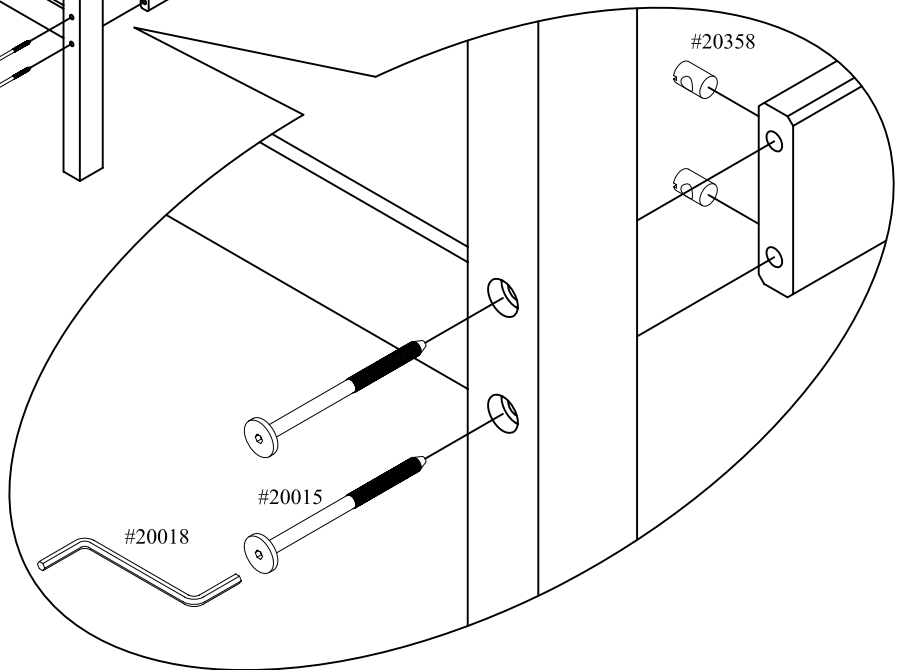
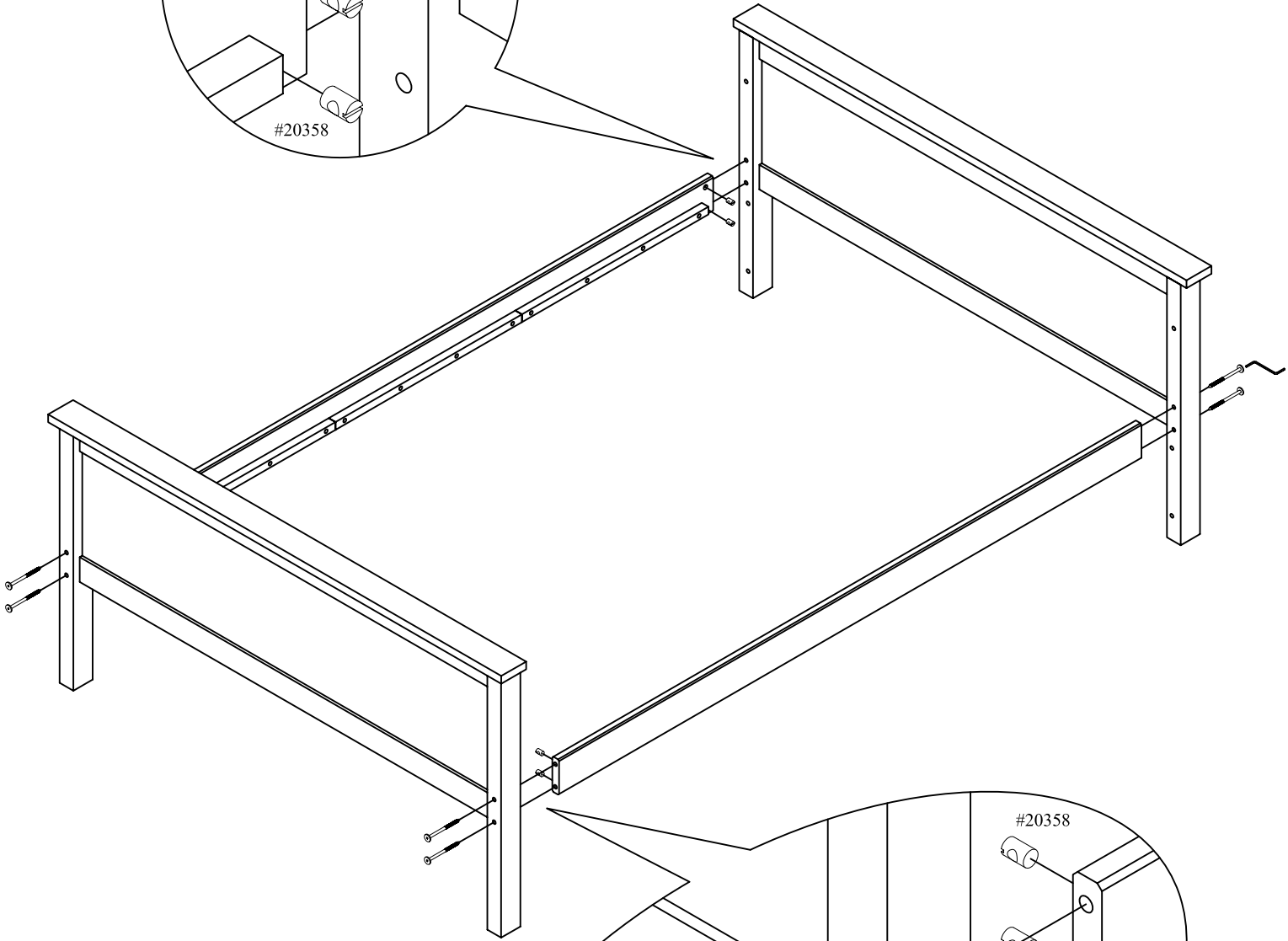
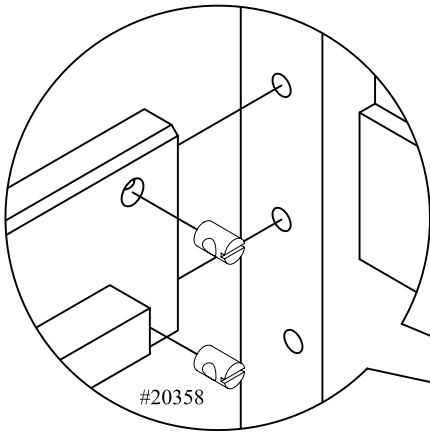
710300 AND 710702

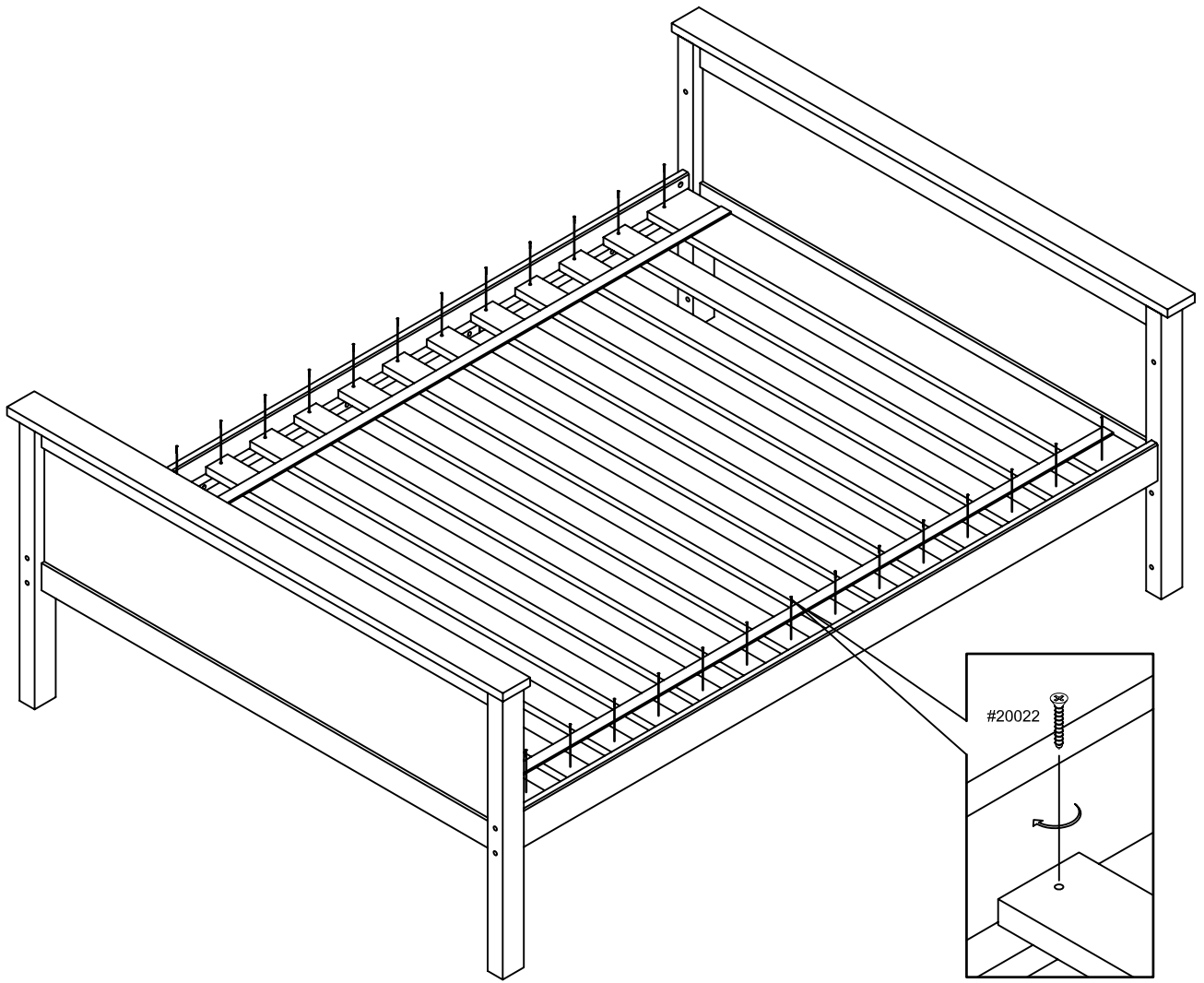
710300 FULL / FULL LOW BED ENDS WHIT TWIN SLATS

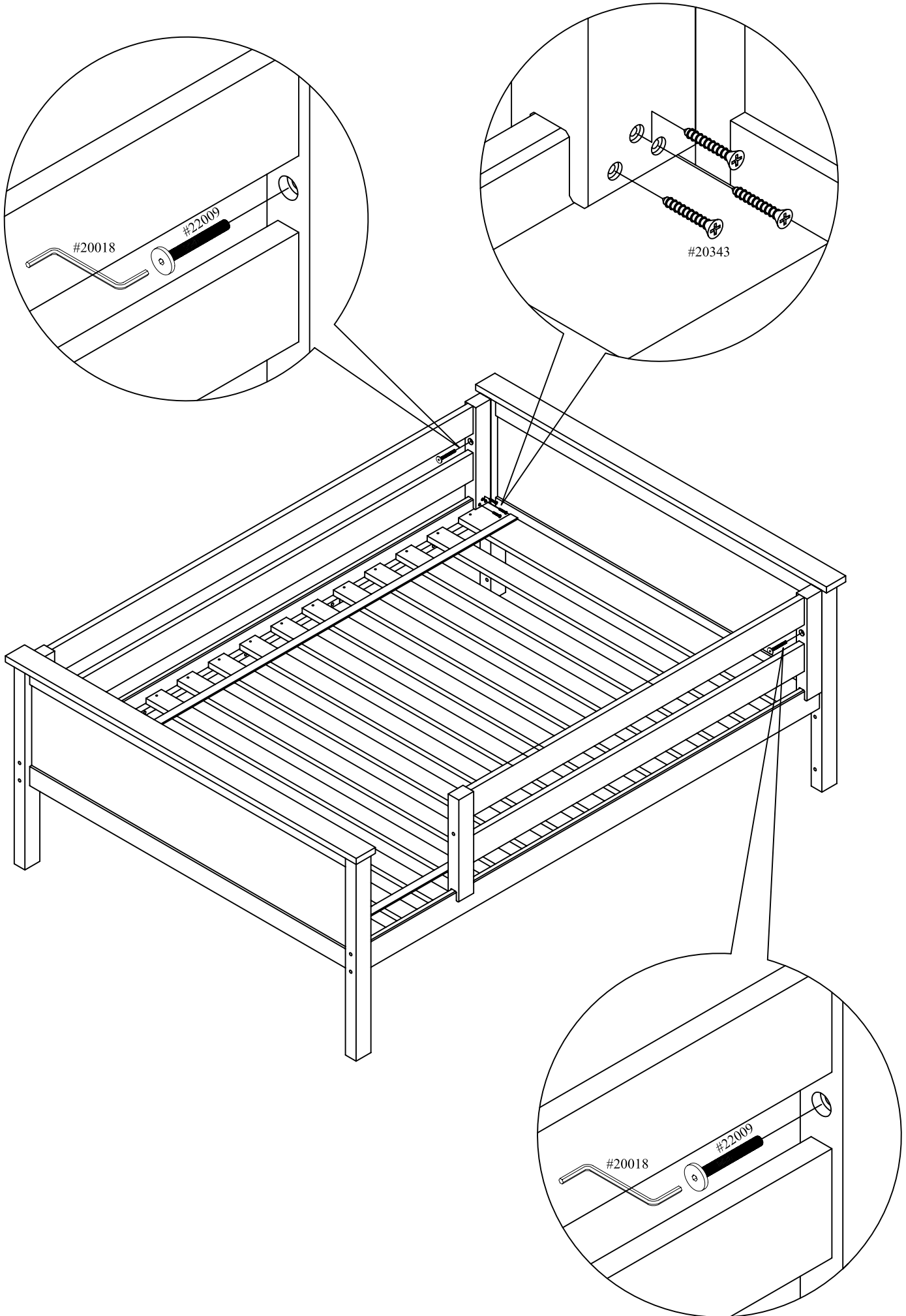
<p>Full low bed ends</p> 	2	<p>Slats</p> 	14 x slats	<p>#20015: M8 110mm hex head bolt #20358: M8 Cross Dowel</p> 	8 x #20015 8 x #20358
<p>#22138</p> 	4 x #22138	<p>#22139</p> 	20 x #22139	<p>#20022: Wood Slat Screw #20042: Drill Bit #20018: Hex Wrench 5mm</p> 	28 x #20022 1 x #20042 1 x #20018
<p>#22097: M8 35mm hex head bolt</p> 	12 x #22097				

710702 FULL / FULL BUNK RAIL SETS

<p>Bed side rail</p> 	2 x set	<p>Back guard rail</p> 	1	<p>3/4 Guard rail</p> 	1
<p>Underbed support beam</p> 	1	<p>#20018: Hex Wrench 5mm #20125: Hex wrench 4mm</p> 	1 x #20018 2 x #20125	<p>#20343: 25mm wood screw #20045: 19mm wood screw</p> 	12 x #20343 8 x #20045
<p>#22009: M8 78mm hex bolt</p> 	3 x #22009	<p>#22139</p> 	4 x #22139	<p>#20124: 30mm bolt #20123</p> 	<p>#20352</p> 
				<p>#21001: 11mm wood plugs</p> 	1 x #21001



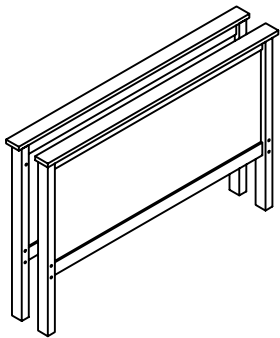
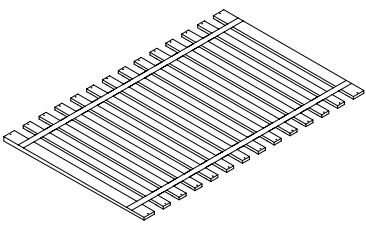
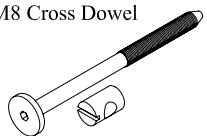





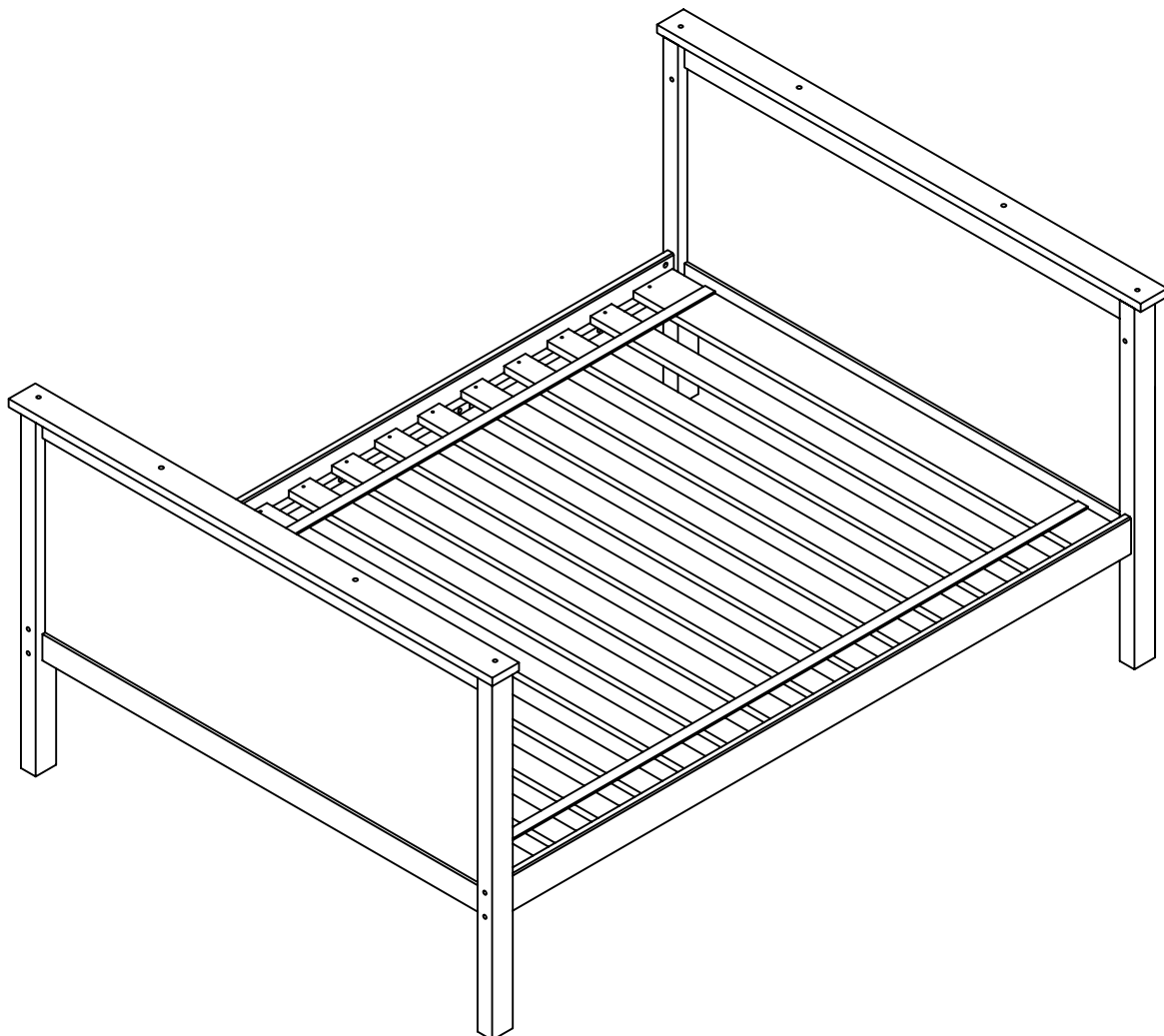


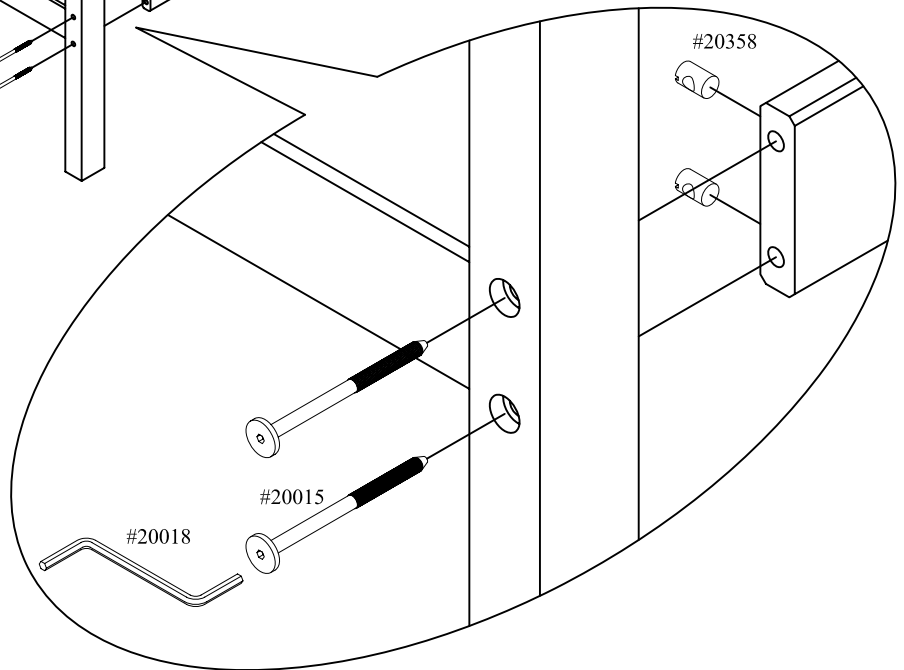
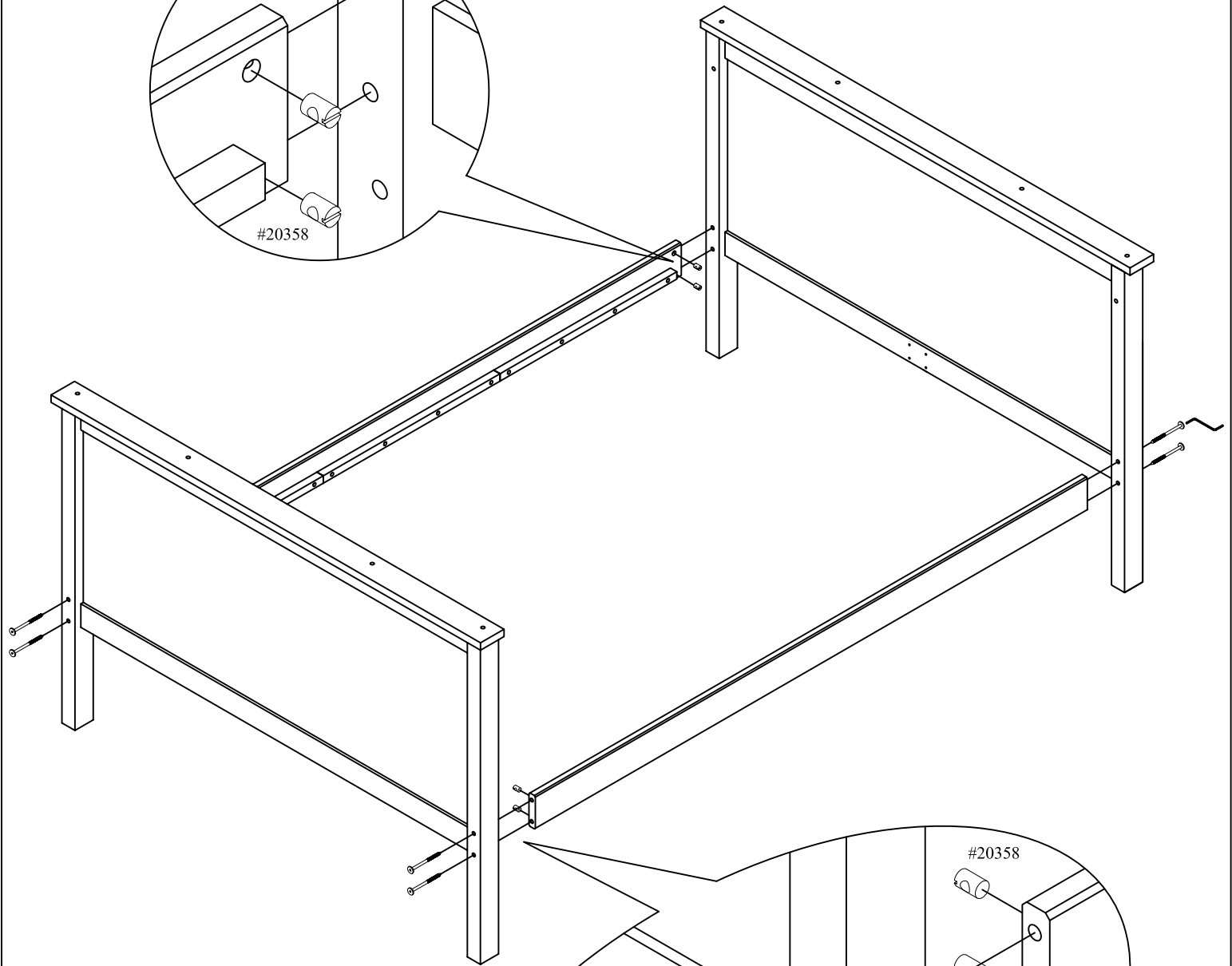
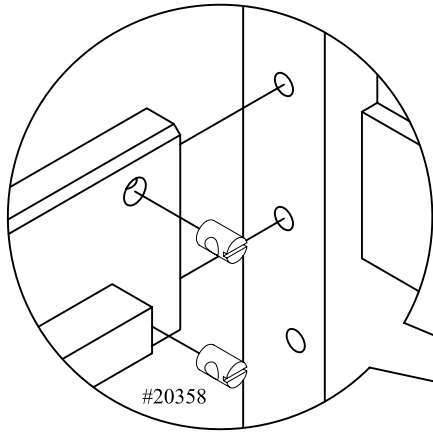
ASSEMBLY INSTRUCTION

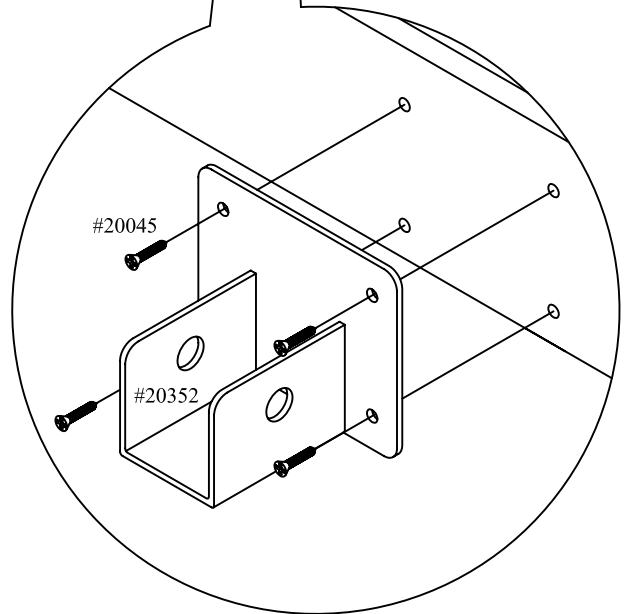
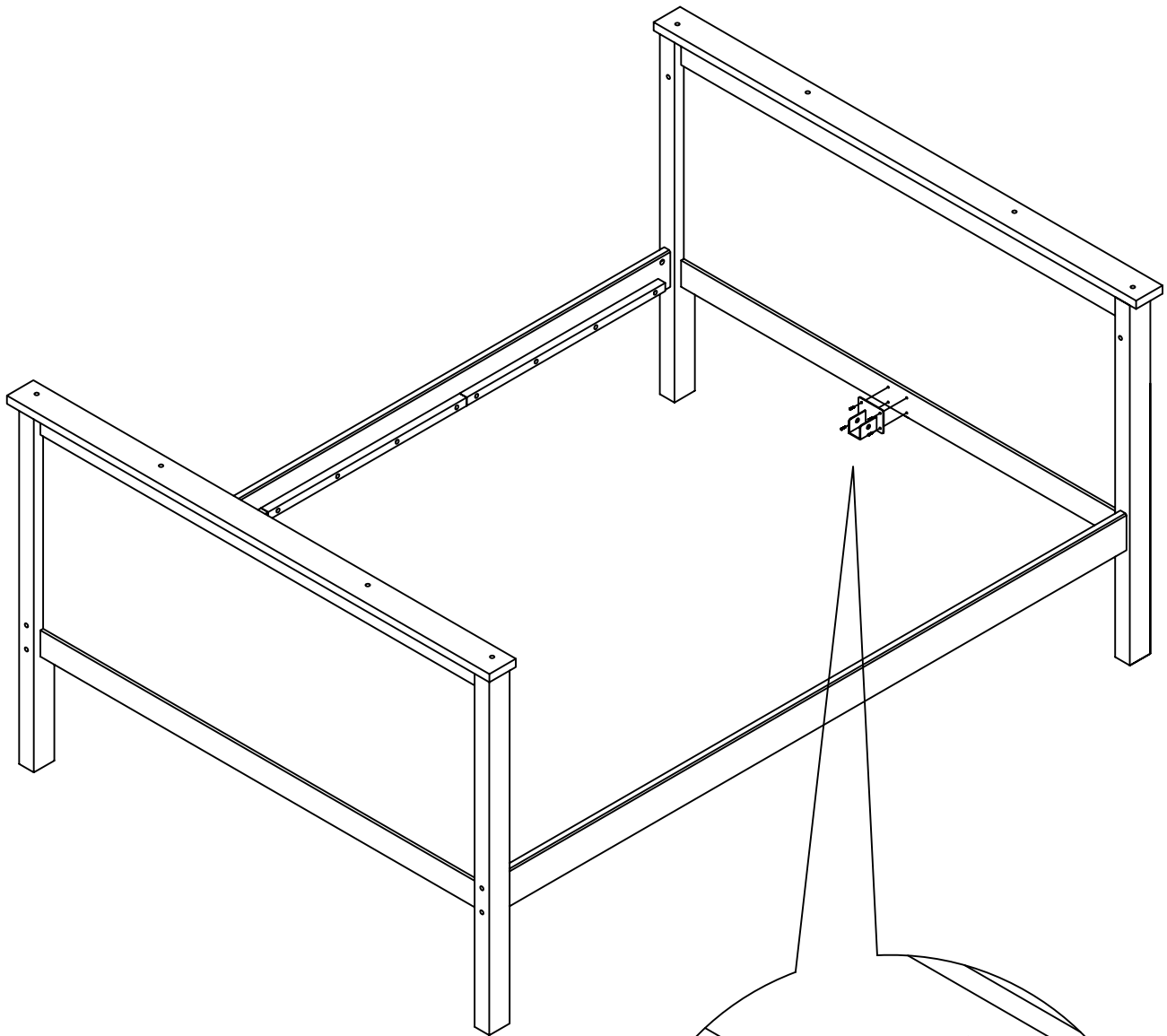
710350

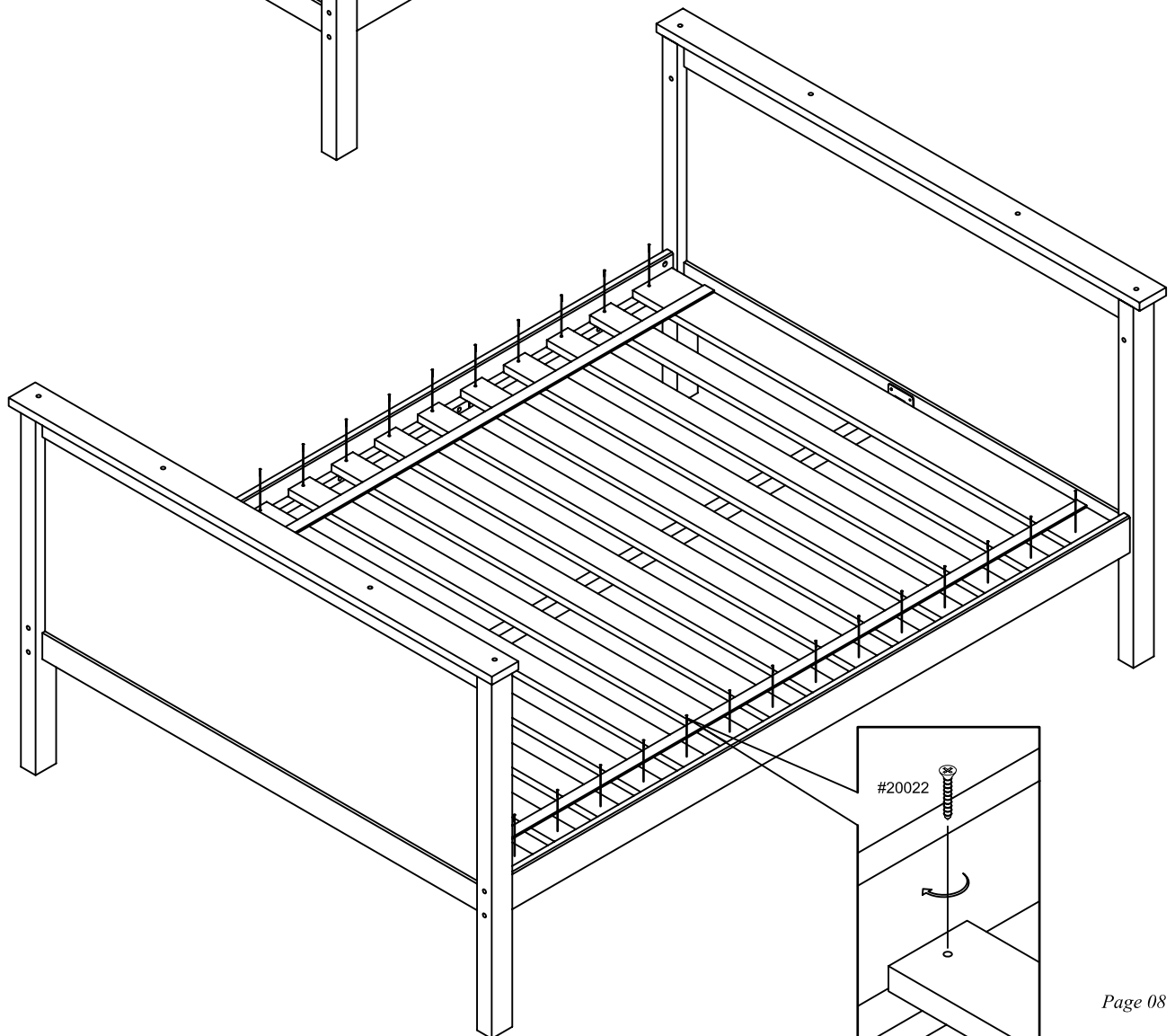
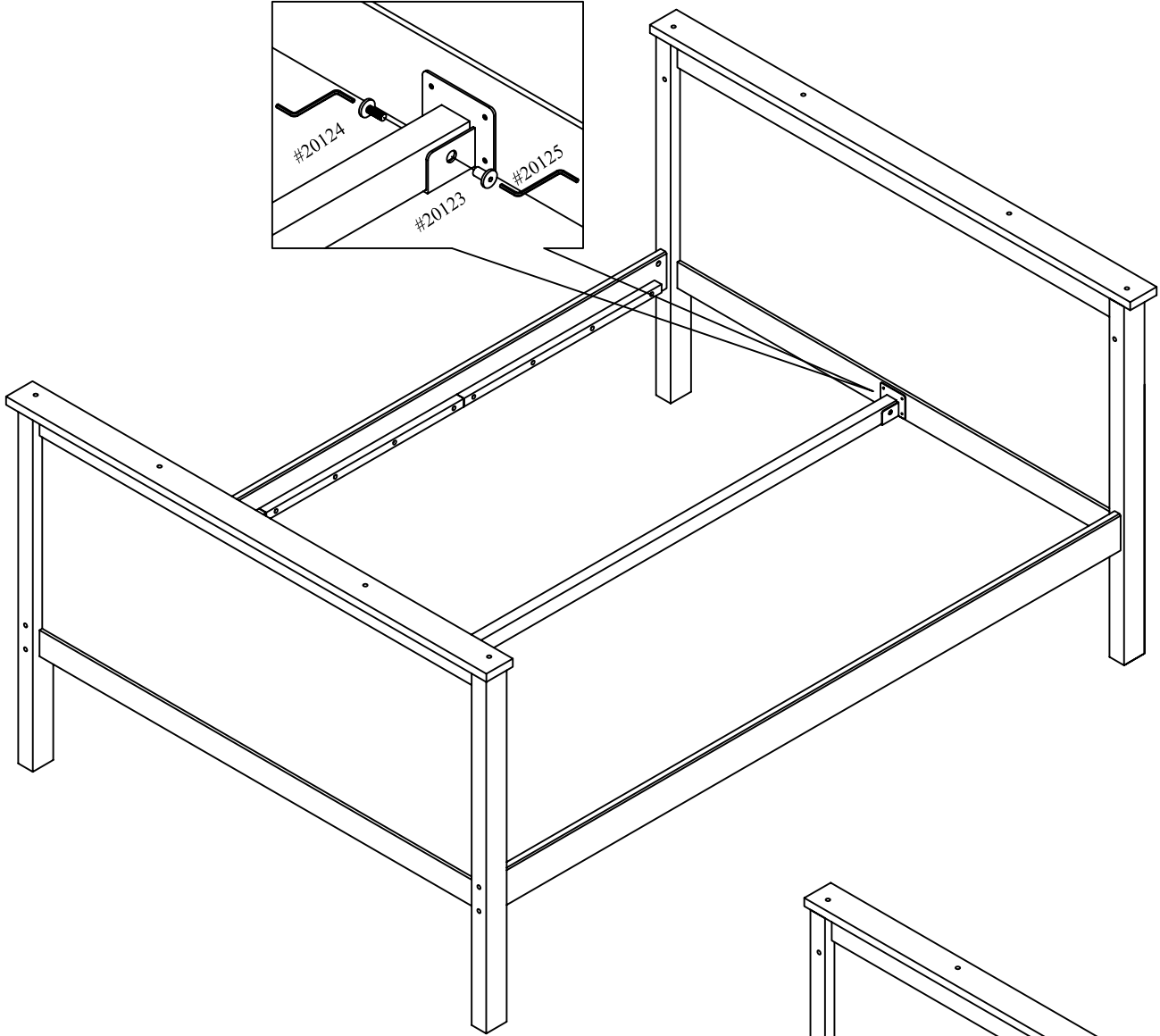
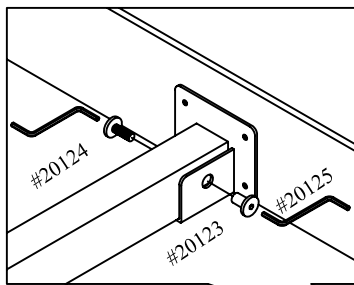
710350 FULL / FULL HIGH BED ENDS WHIT TWIN SLATS

<p>Full high bed ends</p> 	2	<p>Slats</p> 	14 x slats	<p>#20015: M8 110mm hex head bolt #20358: M8 Cross Dowel</p> 	8 x #20015 8 x #20358
<p>#20042: Drill Bit #20018: Hex Wrench 5mm</p> 	1 x #20042 1 x #20018	<p>#21001: 11mm wood plugs</p> 	4 x #21001	<p>#22139</p> 	28 x #20022 8 x #22139



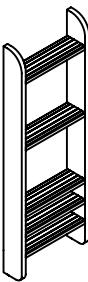
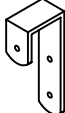

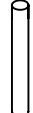






ASSEMBLY INSTRUCTION

710601

	<p>#20039: J-Hook</p> 	<p>4 x #20039</p>	<p>#20045: 19mm wood screw #20022: 30mm wood screw</p> 	<p>4 x #20045 8 x #20022</p>
	<p>#20056: Twin/Full metal connector</p> 	<p>4 x #20056</p>		

